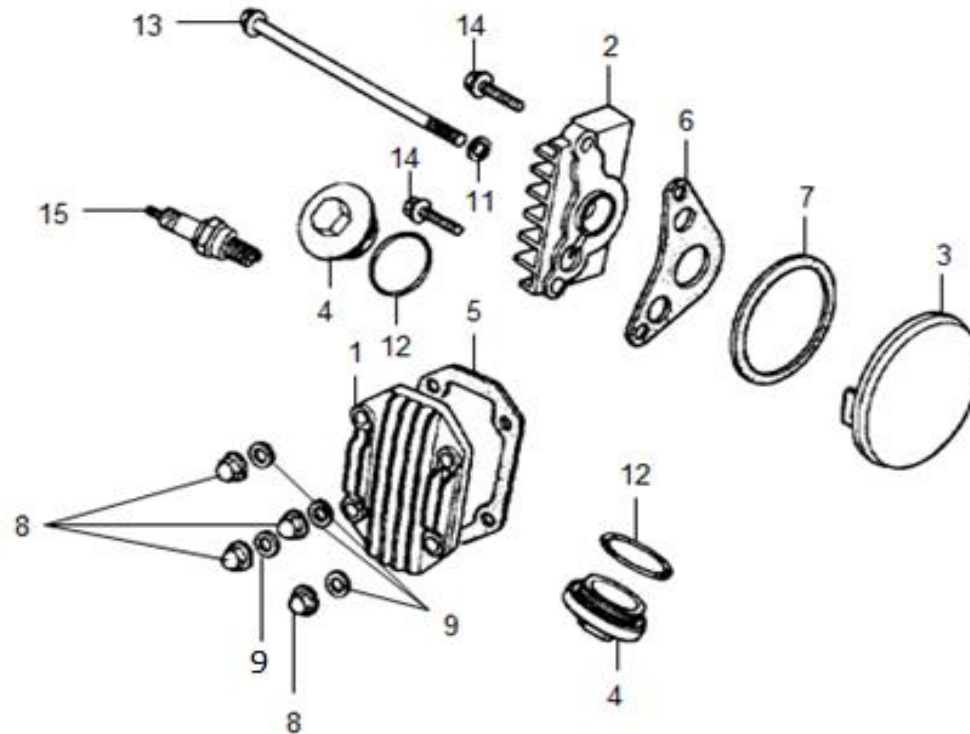
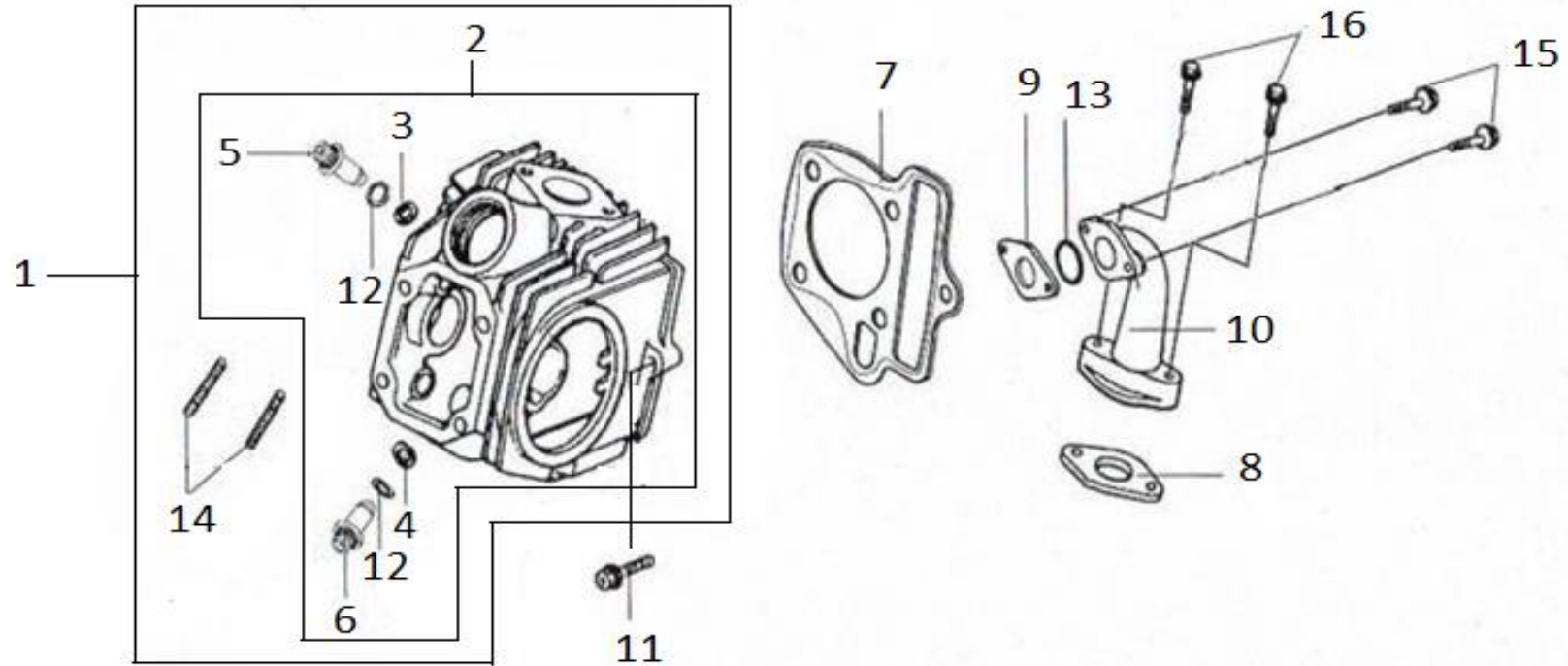


## E01 CYLINDER HEAD COVER



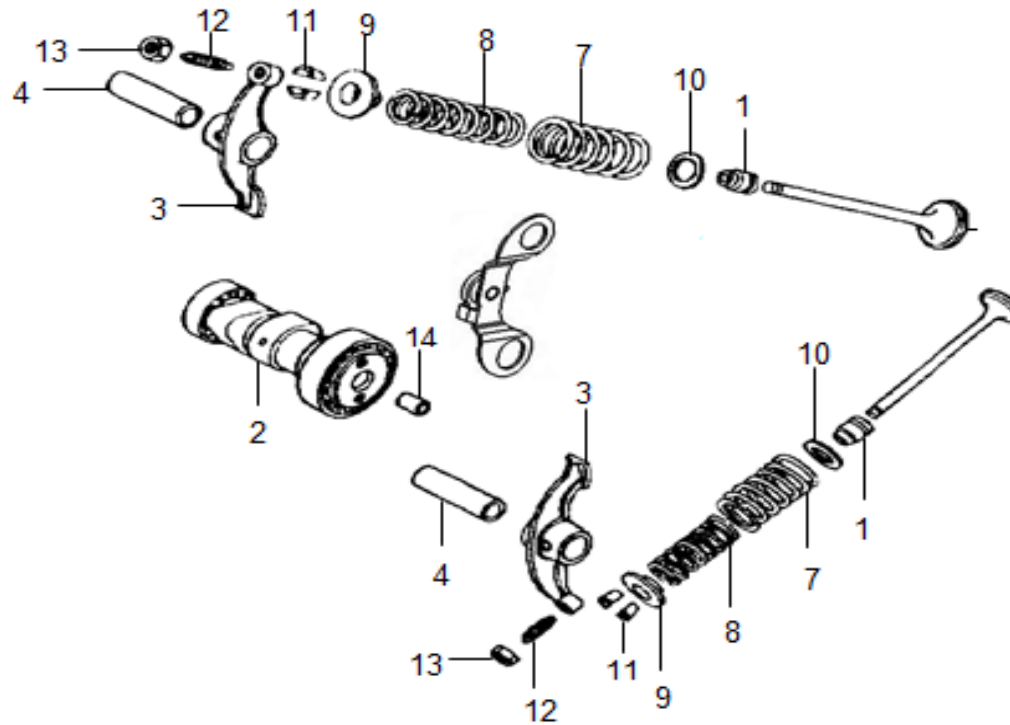
No.	Part No.	Description	Unit Price (RM/PCS)	Unit	Remark
1	12301-A01-A000	Cylinder Head Cover	12.90	1	
2	12331-A01-A000	R. Cylinder Head Side Cover	12.90	1	
3	12341-A04-A000	L. Cylinder Head Side Cover	12.90	1	
4	12361-M9Q-0000	Tappet Adjusting Hold Cap	9.40	2	
5	12391-VN7-0000	Cylinder Head Cover Gasket	2.90	1	
6	12394-VN7-0000	R. Cylinder Head Cover Gasket	0.80	1	
7	12395-VN7-0000	L. Cylinder Head Cover Gasket	1.20	1	
8	90201-VA2-0002	Cap Nut 7 mm	1.30	4	
9	90442-VA2-0000	Sealing Washer 7 mm	0.80	4	
11	90461-VA2-0001-VN	Sealing Washer 6.5x12	0.90	1	
12	91302-M9Q-0000	O-Ring 30.8x3.2	2.30	2	
13	95701-06110-00	Flange Bolt 6x110	1.40	1	
14	96001-06025-07	Sh. Flange Bolt 6x25	0.90	2	
15	1PB C6HSA	Spark Plug C6HSA (NGK)	10.30	1	

## E02 CYLINDER HEAD



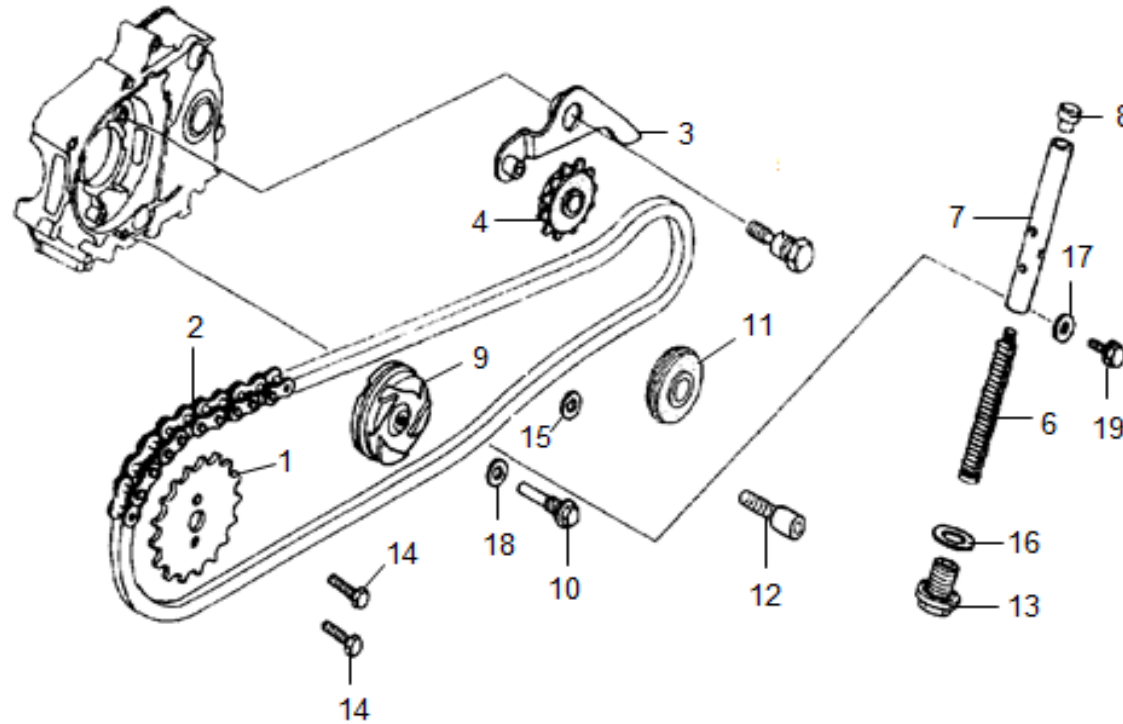
No.	Part No.	Description	Unit Price (RM/PCS)	Unit	Remark
1	1220A-A04-A002	Cylinder Head Ass'y	345.00	1	
2	12200-SA5-0001-VN	Cylinder Head Comp.	310.00	1	
3	12225-VA2-3002	Inlet Valve Seat	15.80	1	
4	12226-VA2-3002	Exhaust Valve Seat	15.80	1	
5	12237-GB4-6812	Inlet Valve Guide	18.10	1	
6	12245-GB4-6812	Exhaust Valve Guide	18.10	1	
7	12251-VA2-0001	Cylinder Head Gasket	11.00	1	
8	16201-VN7-0000-M	Carburator Insulator Gasket	1.30	1	
9	16211-A01-A000	Carburetor Insulator	2.50	1	
10	17110-SM1-0000-VN	Inlet Pipe	25.50	1	
11	90081-VA2-0000	Special Flange Bolt 6x23	2.20	1	
12	91305-M9Q-0001	O-Ring 9x1.6 mm	1.20	2	
13	91308-A01-A001	O-Ring 25x2.4 mm	1.80	1	
14	92700-A02-0001	Stud Bolt 6x32 mm	1.20	2	
15	96001-06025-07	Sh. Flange Bolt 6x25	0.90	2	
16	96001-06028-08	Sh. Flange Bolt 6x28	1.20	2	

## E03 CAM SHAFT - VALVE



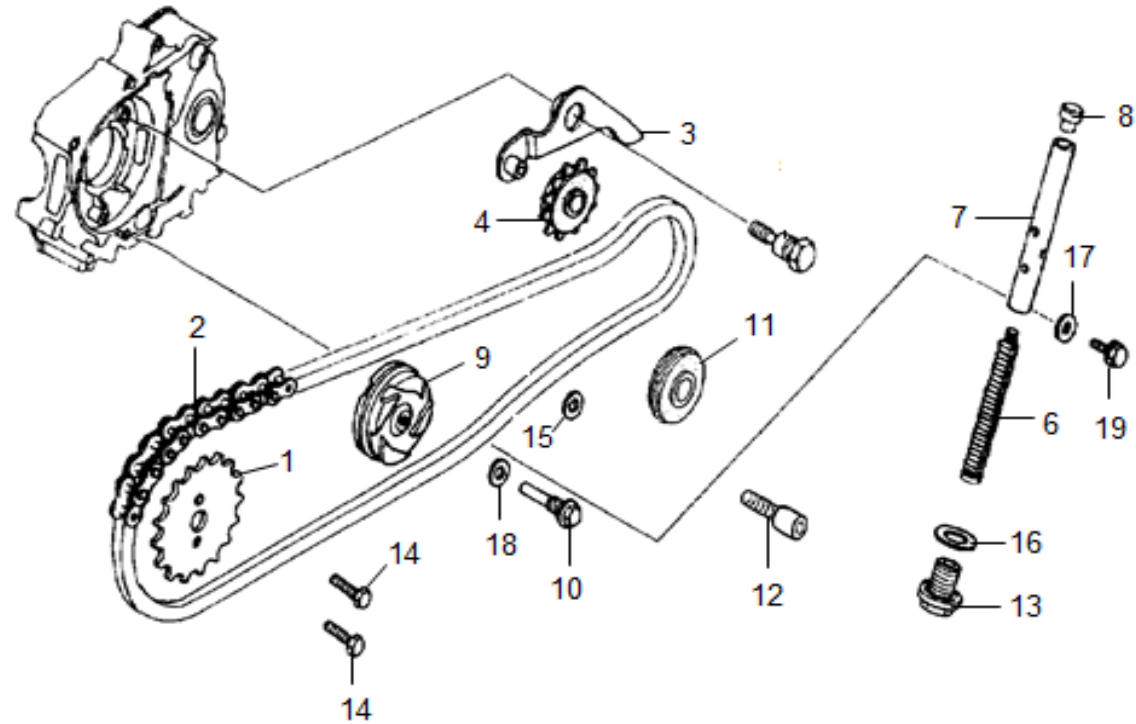
No.	Part No.	Description	Unit Price (RM/PCS)	Unit	Remark
1	12209-H6B-0000	Valve Stem Seal	7.80	2	
2	14100-SAF-0001	Cam Shaft Comp.	130.00	1	
3	1443A-SAF-0000	Valve Rocker Arm	52.00	2	
4	14451-M8Q-0000	Rocker Arm Shaft	9.00	2	
7	14751-M8Q-0000	Valve Outer Spring	13.00	2	
8	14761-M8Q-0000	Valve Inner Spring	6.00	2	
9	14771-A01-A000	Valve Spring Retainer	6.20	2	
10	14775-M9Q-000	Valve Spring Outer Seat	0.90	2	
11	14781-A01-A00-A	Valve Cotter	16.80	1 set	4pcs/set
12	90012-M9Q-0000	Tappet Adjusting Screw	6.60	2	
13	90206-001-0007	Tappet Adjusting Screw Nut	2.30	2	
14	90702-M8Q-0000	Dowel Pin 8x12	1.70	1	

## E04 CAM SHAFT - VALVE



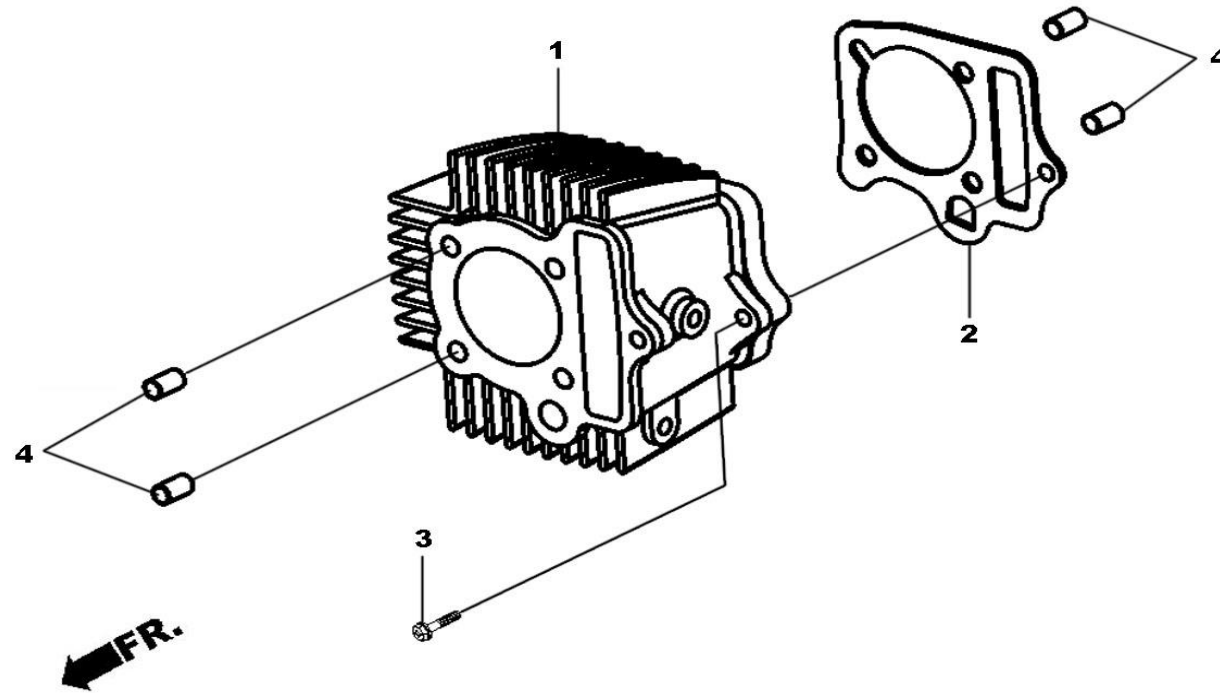
No.	Part No.	Description	Unit Price (RM/PCS)	Unit	Remark
1	14321-VA2-0001	Cam Sprocket (32T)	15.20	1	
2	1CK 25H X 90L-M	Cam Chain (90L)	15.50	1	
3	14500-A01-A001-L1	Cam Chain Tensioner Arm Comp.	7.80	1	
4	14502-M8Q-0000	Cam Chain Tensioner Roller	9.00	1	
6	14541-M8Q-0100	Cam Chain Tensioner Spring	0.90	1	
7	14550-M8Q-0000	Tensioner Push Rod Comp.	32.40	1	
8	14566-A08-0101	Tensioner Push Rod Head	1.50	1	
9	14610-VA2-0001	Cam Chain Guide Roller Comp. (B)	11.70	1	
10	14615-VA2-0000	Roller Guide Pin	2.10	1	
11	14670-VA2-0001	Chain Guide Roller Comp. (A)	14.10	1	
12	14675-A05-000-VN	Cam Chain Guide Roller Bolt	-	x	stop supply
13	90081-035-0006	Sealing Bolt 14 mm	2.20	1	
14	90083-A08-0000	Knock Bolt 5 mm	0.80	2	
15	90405-VA2-0000	Plain Washer 6.5x16x2.6	0.80	1	
16	90441-M8Q-0000	Seal Washer 14 mm	0.80	1	

# E04 CAM SHAFT - VALVE



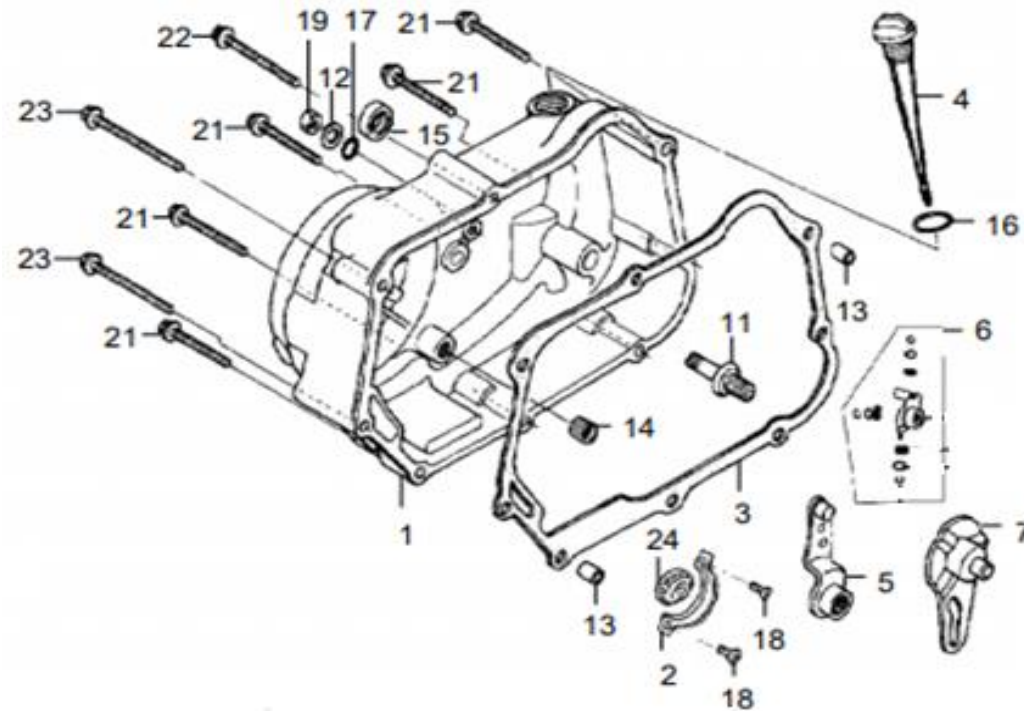
No.	Part No.	Description	Unit Price (RM/PCS)	Unit	Remark
17	90461-VA2-0001-VN	Sealing Washer 6.5x12 mm	0.90	1	
18	90481-035-0001	Washer 8 mm	0.80	1	
19	95701-06018-07	Flange Bolt 6x18	0.50	1	

# E05 CYLINDER



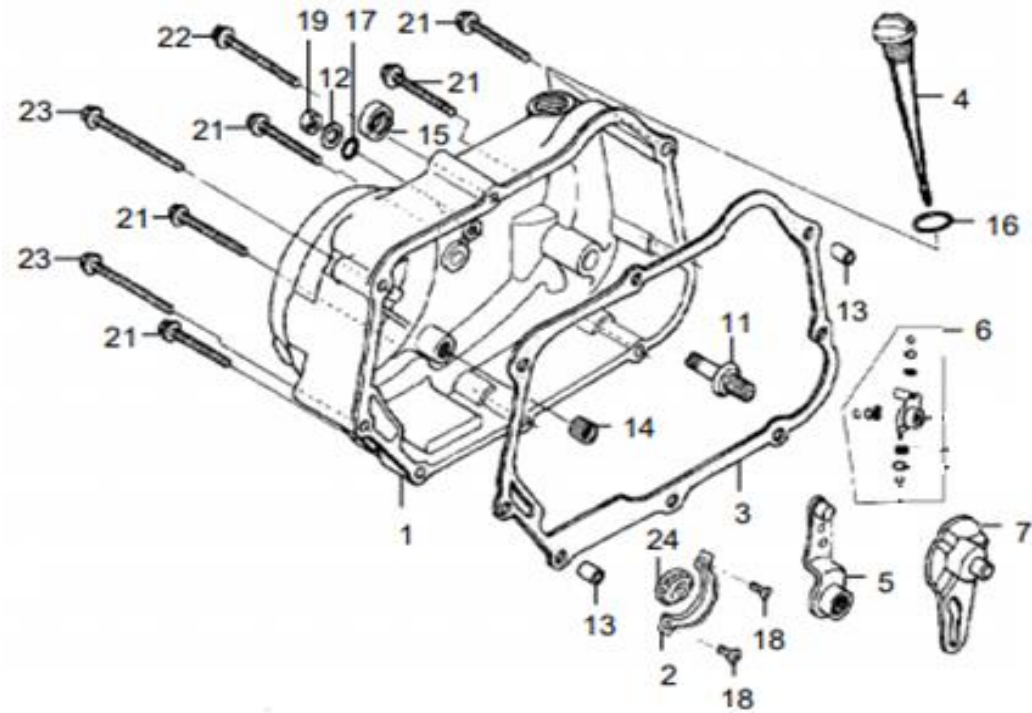
No.	Part No.	Description	Unit Price (RM/PCS)	Unit	Remark
1	12101-A04-A000	Cylinder	-	X	Please refer to 1210A-A04-A000
2	12191-VN7-0000	Cylinder Gasket	2.50	1	
3	90081-VA2-0000	Special Flange Bolt 6x23	2.20	1	
4	90702-VA2-0001	Dowel Pin 8x14	1.60	4	
	1210A-A04-A000	Cylinder (With Piston)	162.00	1	

## E06 RIGHT CRANK CASE COVER



No.	Part No.	Description	Unit Price (RM/PCS)	Unit	Remark
1	11330-VBA-0001-IC	R. Crank Case Cover Comp.	151.00	1	
2	11338-M3G-0003	Bearing Retainer A	2.30	1	
3	11394-VN7-0000	R. Crank Case Cover Gasket	4.50	1	
4	15651-VA1-0000	Oil Level Gauge	4.90	1	
5	22810-A05-0000-VN	Clutch Lever Comp.	18.60	1	
6	22820-M3G-0001	Clutch Lifter Boss Ass'y	33.50	1	
7	22820-A05-0000-VN	Clutch Lifter Plate Comp.	15.60	1	
11	22864-VA2-0000	Clutch Adjusting Bolt	7.70	1	
12	90485-A08-0001	Washer 8 mm	1.30	1	
13	90702-M8Q-0000	Dowel Pin 8x12	1.70	2	
14	91021-148-0040	Needle Bearing HK 1010	12.50	1	
15	91202-VA2-0000	Oil Seal 13.7x24x5	2.50	1	
16	91307-M9Q-0000	O-Ring 18x3 mm	2.30	1	
17	91303-VA2-0002	O-Ring 8 mm	1.60	1	
18	93600-06010-0A	Flat Screw 6x10	0.80	2	
19	94030-08000-00	Hex Nut 8 mm	1.30	1	

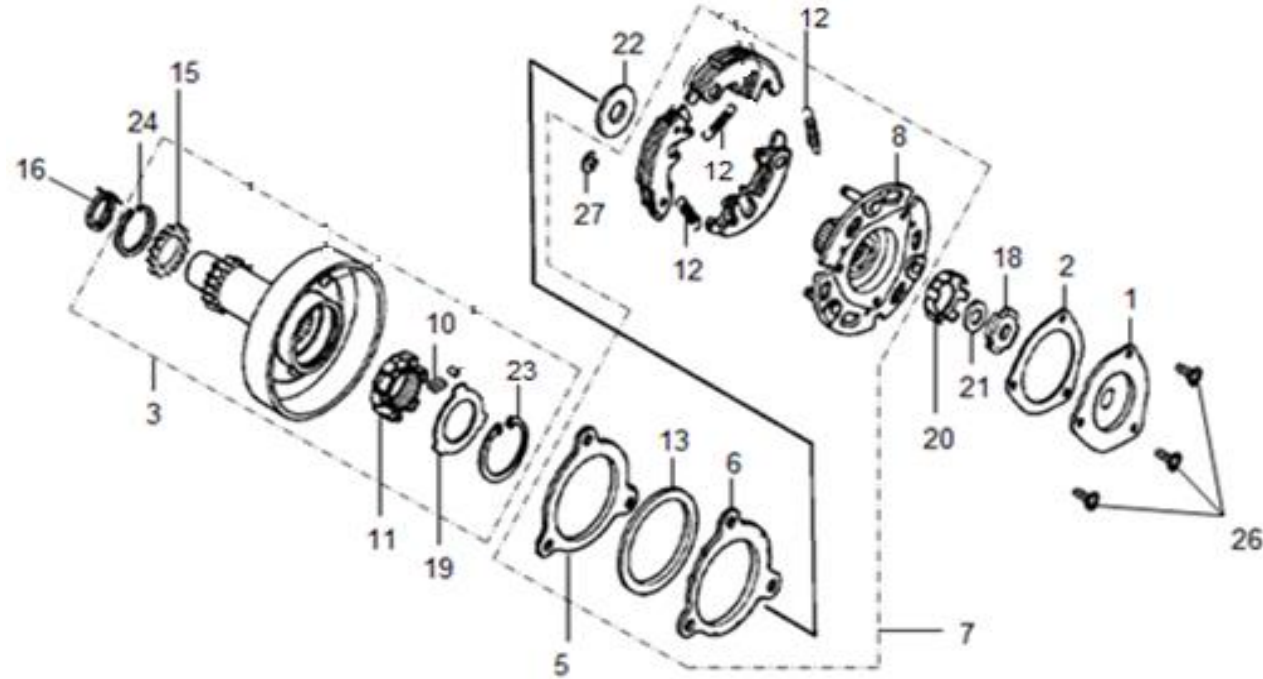
## E06 RIGHT CRANK CASE COVER



No.	Part No.	Description	Unit Price (RM/PCS)	Unit	Remark
21	96001-06040-00	Sh. Flange Bolt 6x40	0.90	5	
22	96001-06065-00	Sh. Flange Bolt 6x65	2.10	1	
23	96001-06080-00	Sh. Flange Bolt 6x80	2.20	2	
24	96140-60010-00	Radial Ball Bearing 6001LU (TPI)	11.70	1	

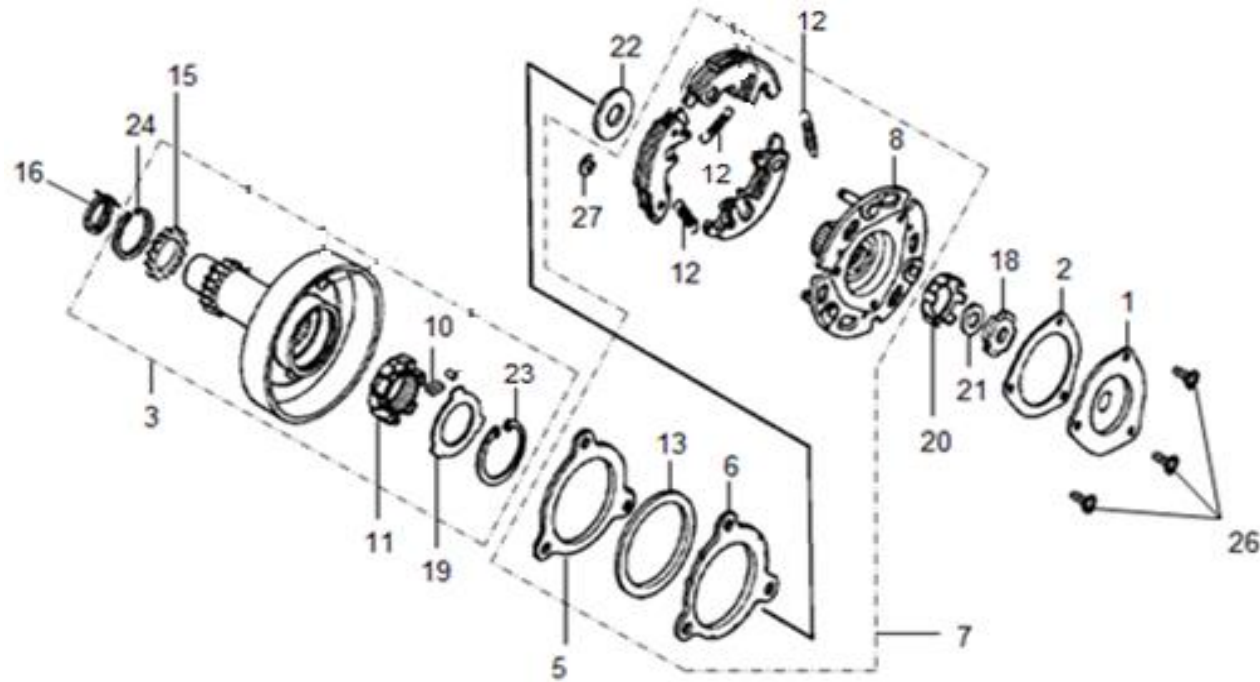


## E07 CENTRIFUGAL CLUTCH ASSY



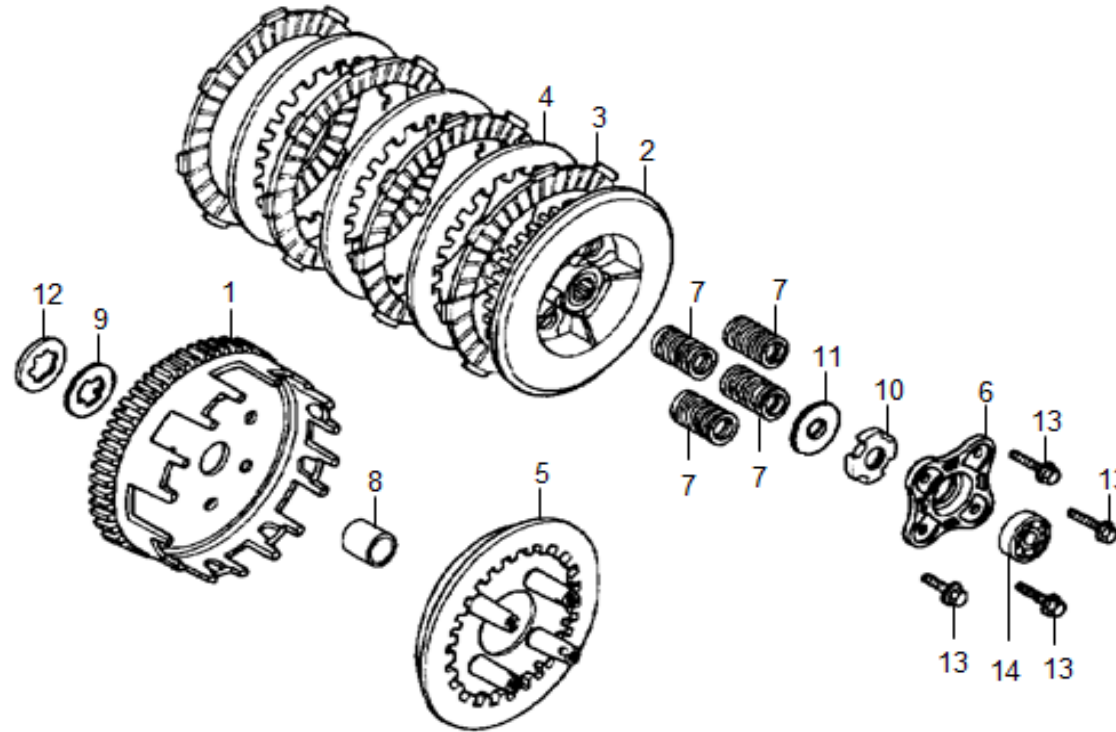
No.	Part No.	Description	Unit Price (RM/PCS)	Unit	Remark
1	15436-M3G-0100	Oil Filer Cover	8.30	1	
2	15439-VA2-0000	Oil Filter Cover Gasket	1.30	1	
3	2210B-SAB-0000-VN	Centrifugal Clutch Outer Set	177.00	1	
5	22111-A05-0000	Centrifugal Clutch Plate A	10.90	1	
6	22112-A05-0000	Centrifugal Clutch Plate B	-	X	stop supply
7	22300-A05-0000-VN	Clutch Drive Plate Ass'y	125.00	1	
8	22350-A05-0001-VN	Clutch Drive Plate Comp.	36.00	1	
10	22606-A05-0000	One Way Retainer Spring	-	X	stop supply
11	22630-M3G-0001	One Way Clutch Inner Comp.	29.00	1	
12	22641-M3G-0100	Clutch Spring B	2.50	3	
13	23117-A05-0000	Spring Plate	-	X	stop supply
15	23122-M3G-0301	Sub Gear	21.70	1	
16	23124-VA2-0001	Sub Gear Spring	4.10	1	
18	90231-A05-0001-VN	Lock Nut 14 mm	2.70	1	
19	90401-M3G-0000	Washer 30x45x0.8	0.70	1	
20	90431-M3G-0001	Lock Washer 14 mm	1.30	1	

## E07 CENTRIFUGAL CLUTCH ASSY



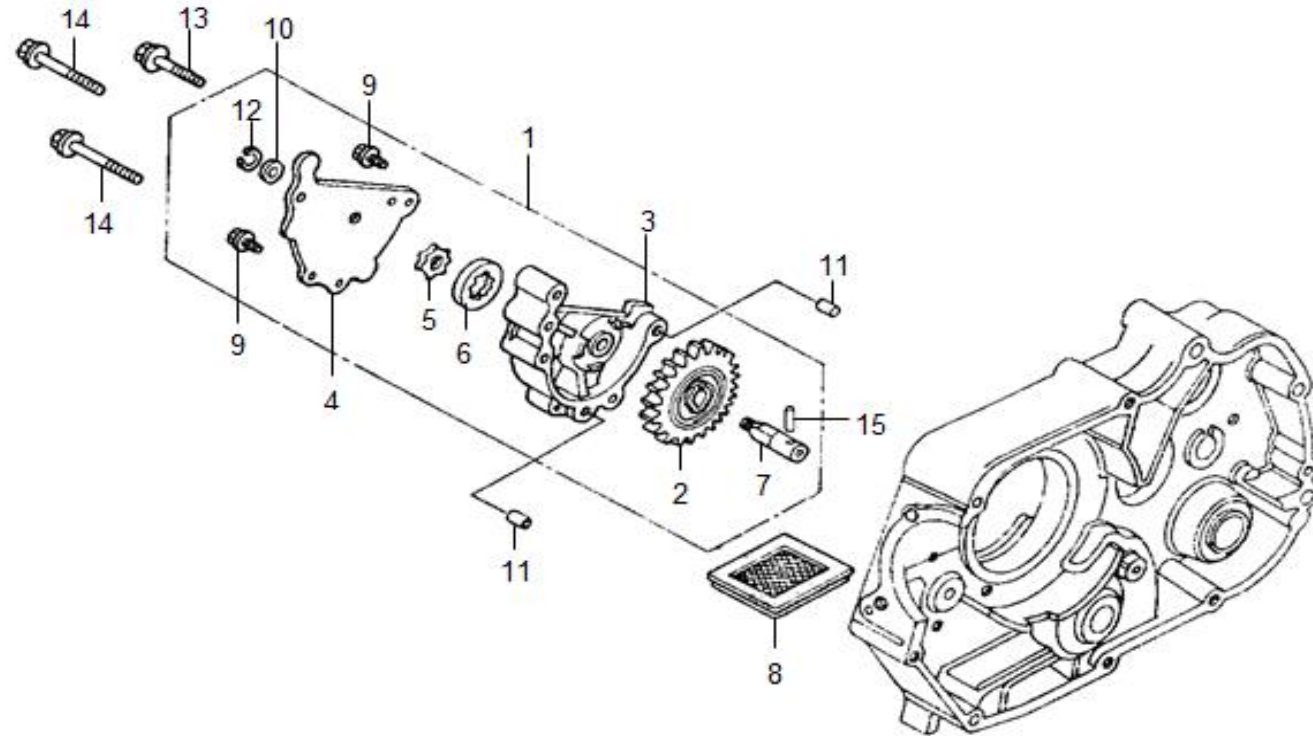
No.	Part No.	Description	Unit Price (RM/PCS)	Unit	Remark
21	90432-A01-A000	Lock Washer B	0.70	1	
22	90434-A05-000-VN	Washer 17x23x3	1.30	1	
23	90455-M3G-0000	Cir-Clip In 45 mm	1.80	1	
24	90603-M3G-0000	Set Ring 23 mm	1.80	1	
26	93500-05008-OA	Pan Screw 5x8	0.50	3	
27	90605-166-720	E-Ring 7 mm	1.50	3	

## E08 CLUTCH OUTER ASSY



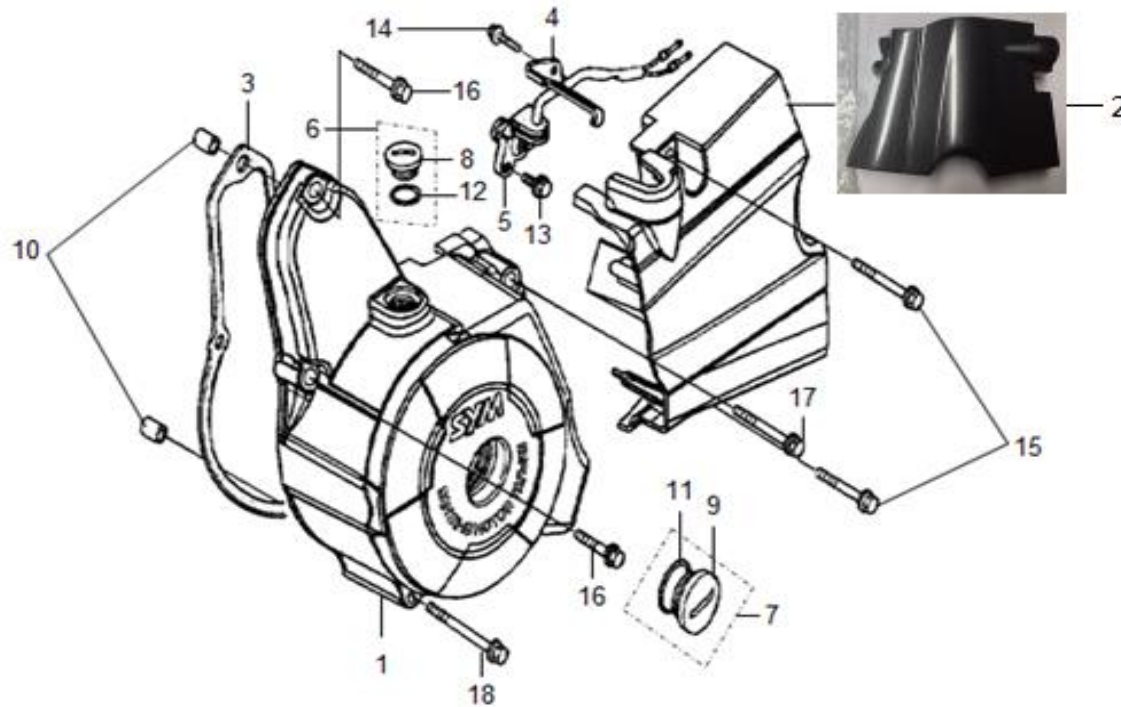
No.	Part No.	Description	Unit Price (RM/PCS)	Unit	Remark
1	2200A-A05-0004-VN	Clutch Outer Set	199.00	1	Parent Part
2	22121-A05-0000	Clutch Center	30.30	1	
3	2220A-107-0000	Clutch Friction Disk Set (4pcs/set)	18.00	1	
4	22311-107-0002	Clutch Plate	9.90	3	
5	22351-A05-0000	Clutch Pressure Plate	-	X	stop supply
6	22361-M3G-0001	Clutch Lifter Plate	8.70	1	
7	22401-A05-0001	Clutch Spring A	-	X	Please Order Parent Part 2200A-A05-0004-VN (item E08-1)
8	23112-U4A-000-M-VN	Clutch Center Guide	11.30	1	
9	23217-M3G-0002	Set Ring 17 mm	0.80	1	
10	90231-A01-A001-VN	Lock Nut 14 mm	2.30	1	
11	90432-A01-A000	Lock Washer B	0.70	1	
12	90464-VA2-0000	Spline Washer 17 mm	0.80	1	
13	95701-06022-08	Flange Bolt 6x22	0.80	4	
14	96100-60000-00	Radial Ball Bearing 6000 (TPI)	18.85	1	

## E09 OIL PUMP ASSY



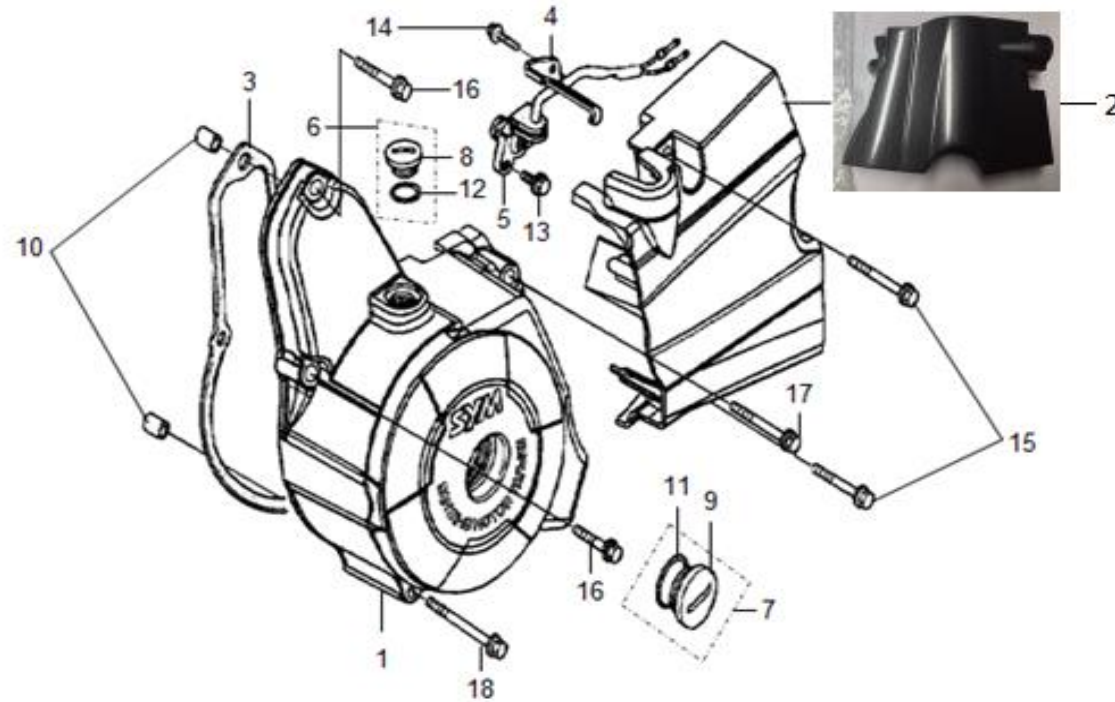
No.	Part No.	Description	Unit Price (RM/PCS)	Unit	Remark
1	15100-VA2-900-VN	Oil Pump Ass'y	53.00	1	
2	15133-VA2-0001	Oil Pump Driven Gear	18.20	1	
3	15311-VA2-0002	Oil Pump Body	23.70	1	
4	15321-VA2-0002	Oil Pump Body Cover	21.60	1	
5	15331-VA2-0001	Oil Pump Inner Rotor	10.80	1	
6	15332-VA2-0001	Oil Pump Outer Rotor	10.80	1	
7	15382-VA2-0001	Oil Pump Driver Shaft	38.70	1	
8	15421-M8Q-0000	Oil Filter Screen	8.70	1	
9	90002-VA2-0000	Flange Bolt 5x10	0.80	2	
10	90444-VA2-0000	Thrust Washer 6 mm	1.20	1	
11	90702-M8Q-0000	Dowel Pin 8x12	1.70	2	
12	94540-05018	E-Ring 5 mm	0.80	1	
13	95701-06035-00	Flange Bolt 6x35	1.30	1	
14	95701-06040-00	Flange Bolt 6x40	0.90	2	
15	96220-30158	Roller 3x15.8	0.80	1	

# E10 LEFT CRANK CASE COVER



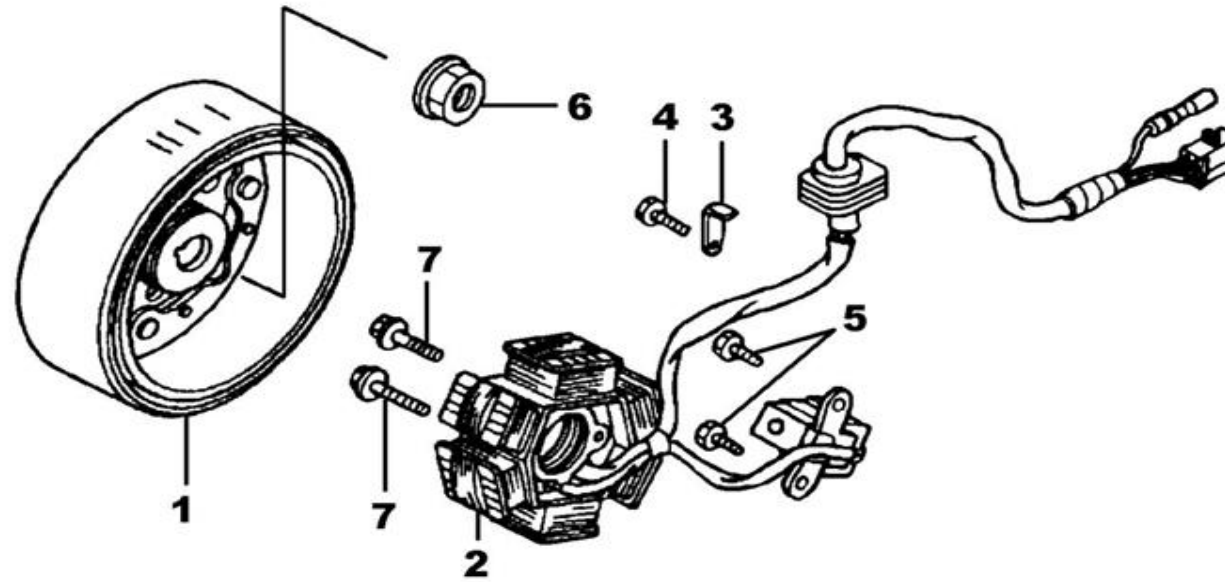
No.	Part No.	Description	Unit Price (RM/PCS)	Unit	Remark
1	11341-VBA-0002-IC	L. Crank Case Cover Comp.	107.50	1	
2	11360-VB4-0000-IC	L. Crank Case Rear Cover	38.20	1	
3	11395-VN7-0000	L. Crank Case Cover Gasket	3.50	1	
4	32961-VA2-0000	A. C. G. Cord Clammer B	2.00	1	
5	3575A-VA2-0002	Change Switch Ass'y	-	X	Please Order 3500T-VA2-9000
6	9008A-VA2-0000-GY	A.C.G. Cap Ass'y 14 mm	5.10	1	
7	9008B-M8Q-0000	A.C.G. Cap Ass'y 30 mm	8.30	1	
8	90084-VBA-0000-IC	A.C.G. Cap 14 mm	5.10	1	
9	90087-VBA-0000-IC	A.C.G. Cap 30 mm	5.10	1	
10	90702-M8Q-0000	Dowel Pin 8x12	1.70	2	
11	91308-M9Q-0002	O-Ring 27x2.0	1.40	1	
12	91304-VA2-0000	O-Ring 13.8x2.5	1.20	1	
13	96001-06012-00	Sh. Flange Bolt 6x12	1.20	1	
14	96001-06016-00	Sh. Flange Bolt 6x16	0.80	1	
15	96001-06028-08	Sh. Flange Bolt 6x28	1.20	2	
	3500T-VA2-9000	Change SW Block Assy	33.10	1	Parent Part

# E10 LEFT CRANK CASE COVER



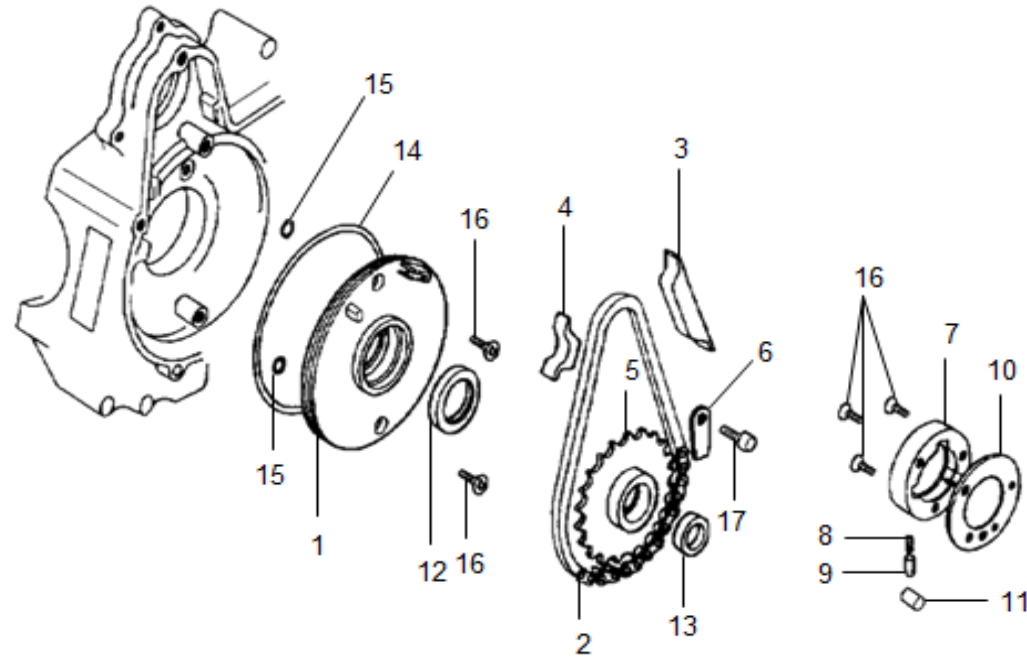
No.	Part No.	Description	Unit Price (RM/PCS)	Unit	Remark
16	96001-06032-00	Sh. Flange Bolt 6x32	1.20	2	
17	96001-06050-00	Sh. Flange Bolt 6x50	0.90	1	
18	96001-06070-00	Sh. Flange Bolt 6x70	2.70	1	

# E11 GENERATOR



No.	Part No.	Description	Unit Price (RM/PCS)	Unit	Remark
1	3111A-VA2-000-M2	Flywheel Comp	123.50	1	
2	31120-VA2-0003	Startor Comp.	81.80	1	
3	31141-VA2-0000	A.C Generator Cord Clamper	0.90	1	
4	93500-05006-0A	Pan Screw 5x6	0.50	1	
5	93500-05010-0A	Pan Screw 5x10	0.50	2	
6	94050-12000	Flange Nut 12 mm	4.40	1	
7	96001-06022-00	Sh. Flange Bolt 6x22	1.10	2	

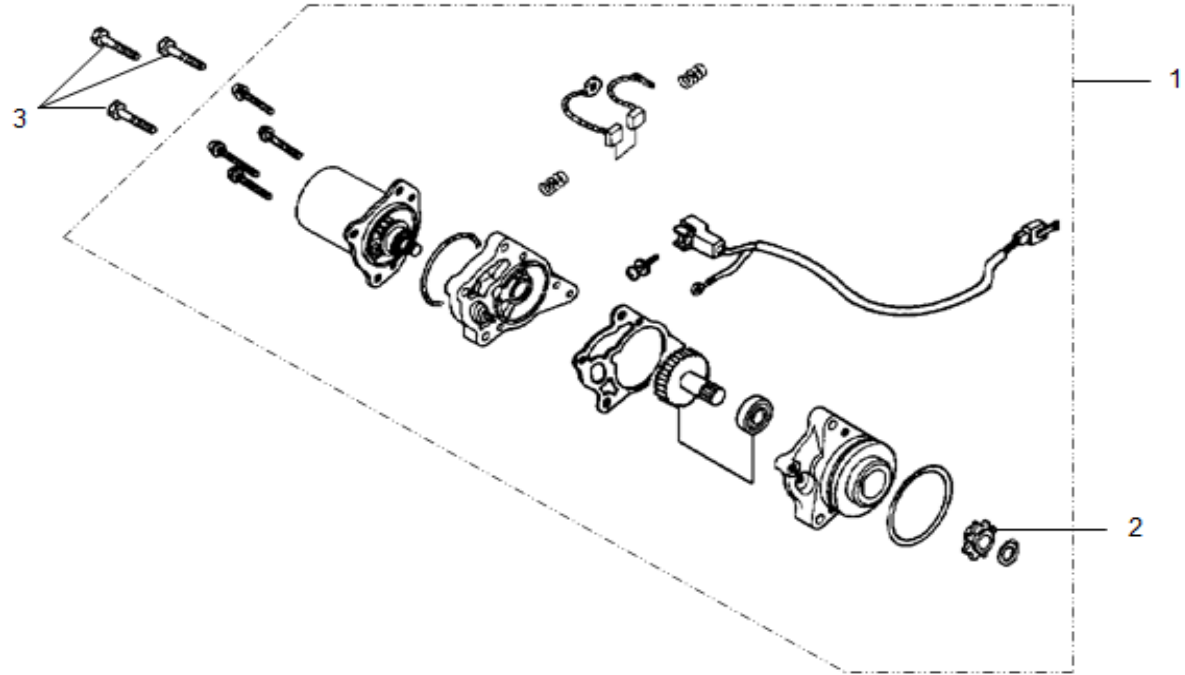
## E12 STARTING CLUTCH



No.	Part No.	Description	Unit Price (RM/PCS)	Unit	Remark
1	11321-A01-A000-VN	Oil Separate Cover	11.30	1	
2	1CK 25H X 62L	Starting Chain (62L)	13.10	1	
3	28102-M8Q-0000	Starter Chain Guide	-	X	stop supply
4	28103-M8Q-0000	Starter Chain Protector	4.40	1	
5	28110-VDA-0000	Starter Clutch Gear Comp	66.30	1	
6	28117-A05-0000-VN	Starting Sprocket Set Plate	2.30	1	
7	28120-A01-0000	Starting Clutch Outer	-	X	Please Order 2812A-A01-A000-VN
8	28125-M7Q-0001	Starting Clutch Roller Spring	2.30	3	
9	28126-253-0305	Starting Roller Spring Cap	7.80	3	
10	28128-A01-A000-VN	Starting Cam Side Plate	20.00	1	
11	91101-M8Q-0000	Roller 10x10	2.50	3	
12	91201-VA2-0000	Oil Seal 30x42x4.5	5.50	1	
13	91202-A01-0000	Oil Seal 18.9x30x5	4.10	1	
14	91302-VA2-0000	O-Ring 107x2	7.80	1	
15	91318-VA2-0000	O-Ring 6.5x1.7	1.10	2	
16	93600-06016-0A	Flat Screw 6x16	0.80	5	
17	96001-06010-00	Sh. Flange Bolt 6x10	1.20	1	
	2812A-A01-A000-VN	Starting Clutch Outer	92.20	1	Parent Part

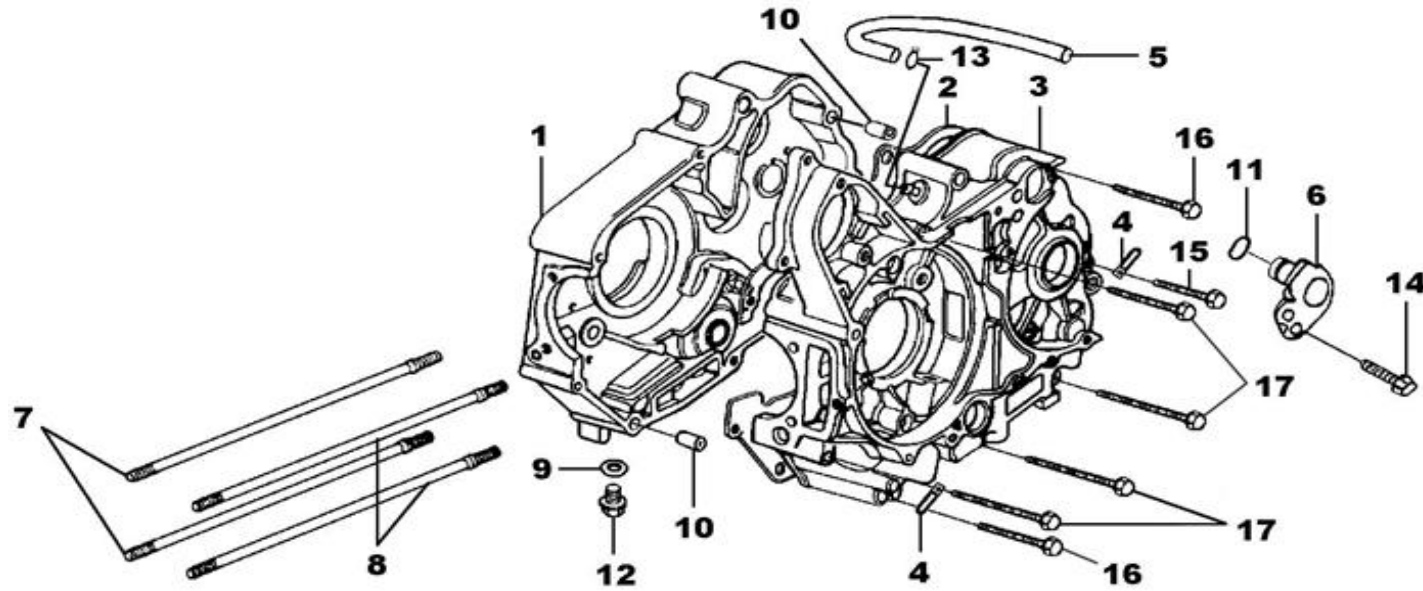


# E13 STARTING MOTOR



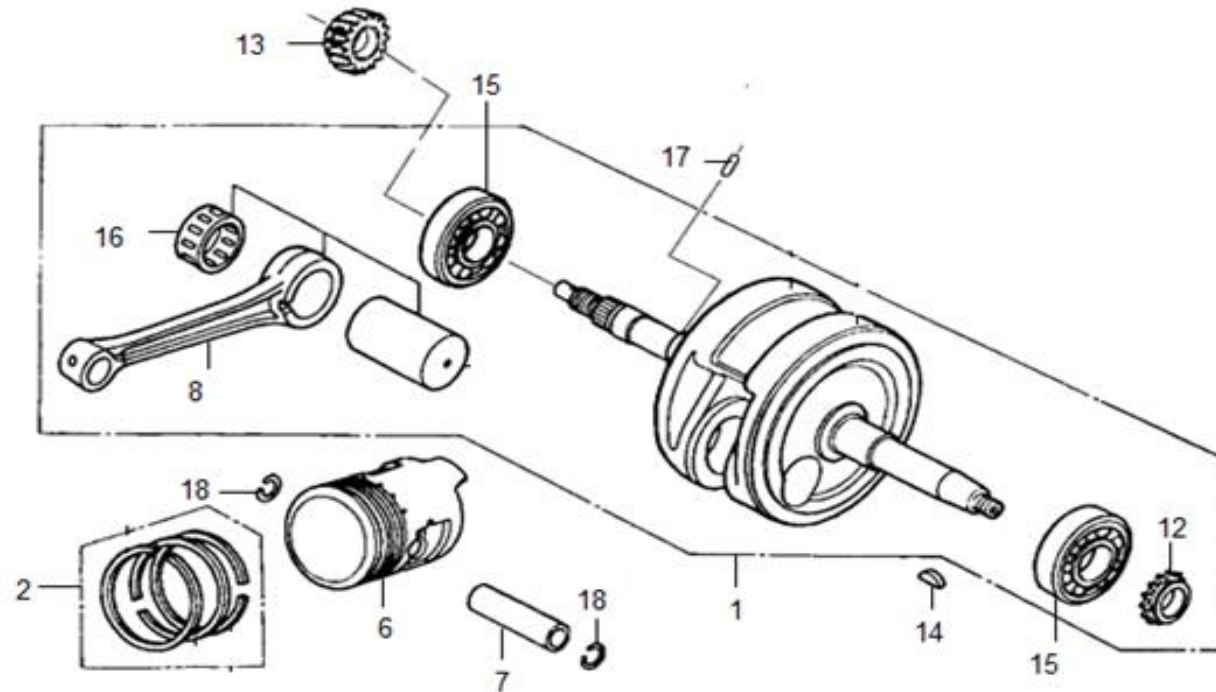
No.	Part No.	Description	Unit Price (RM/PCS)	Unit	Remark
1	31200-VA2-0100	Start Motor Ass'y	137.50	1	Parent Part
2	31202-VA2-000	Drive Pinion Comp	-	X	Please Order Parent Part 31200-VA2-0100 (item E13-1)
3	96001-06050-00	Flange Bolt 6x50	0.90	3	

# E14 CRANK CASE



No.	Part No.	Description	Unit Price (RM/PCS)	Unit	Remark
1	11100-VDA-000-FG	R. Crank Case Comp.	289.30	1	
2	11191-VN7-0000	Crank Case Gasket	4.50	1	
3	11200-SAB-0000-F2	L. Crank Case Comp.	206.90	1	
4	12342-X01-0000	Clamp	1.30	2	
5	1576A-VA2-0001	Breather Tube Assy	8.70	1	
6	24331-VA2-0000	Contact Switch Block	-	X	Please Order 3500T-VA2-9000
7	90031-VA1-0002	Cylinder Stud Bolt 6x206.5x7	5.00	2	
8	90032-VA1-0002	Cylinder Stud Bolt 6x214.5x7	5.00	2	
9	90407-A08-0000	Drain Cock Parking 12.5x20	-	X	stop supply
10	90703-M8Q-0003-VN	Dowel Pin 10x14	1.50	2	
11	91301-VA2-0000	O-Ring 22x2	0.80	1	
12	92800-12000	Drain Plug Bolt 12 mm	3.00	1	
13	95002-70000	Tube Clip C11	2.10	1	
14	96001-06025-07	Sh. Flange Bolt 6x25	0.90	1	
15	96001-06050-00	Sh. Flange Bolt 6x50	0.90	1	
16	96001-06060-00	Sh. Flange Bolt 6x60	2.10	2	
17	96001-06065-00	Sh. Flange Bolt 6x65	2.10	4	
	3500T-VA2-9000	Change SW. Block Assy	33.10	1	Parent Part

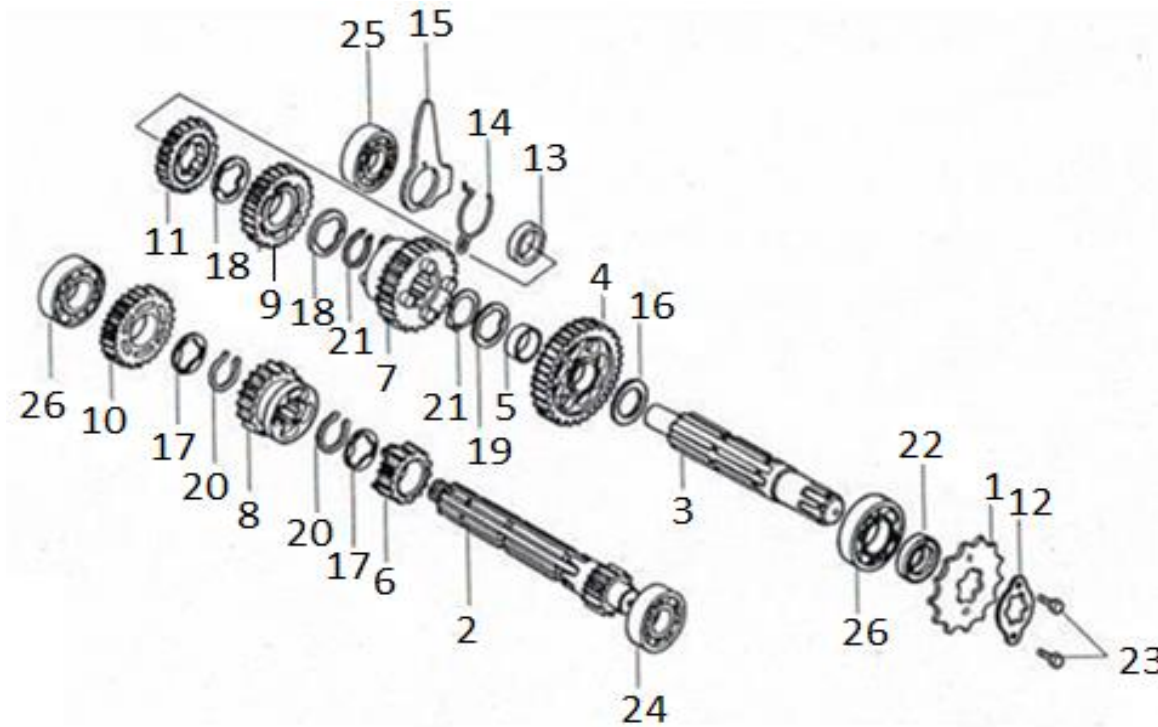
## E15 CRANK SHAFT - PISTON



No.	Part No.	Description	Unit Price (RM/PCS)	Unit	Remark
1	13000-VD3-001-VN	Crank Shaft Comp.	274.00	1	Parent Part
2	13010-VA2-0000	Piston Ring Set (STD.)	29.70	1	
	13012-VA2-3050	Piston Ring Set (0.25)	31.70	1	
	13013-VA2-3050	Piston Ring Set (0.50)	33.80	1	
	13014-VA2-3050	Piston Ring Set (0.75)	35.90	1	
	13015-VA2-3050	Piston Ring Set (1.00)	38.00	1	
6	13101-VA2-0000	Piston (STD.)	86.30	1	
	13102-VA2-3050	Piston (0.25)	86.30	1	
	13103-VA2-3050	Piston (0.50)	86.30	1	
	13104-VA2-3050	Piston (0.75)	86.30	1	
	13105-VA2-3050	Piston (1.00)	86.30	1	
7	13111-A04-A000-VN	Piston Pin	8.10	1	
8	13201-VA1-0001	Connecting Rod	64.50	1	
12	14311-VA2-3000	Timing Sprocket (16T)	-	X	stop supply
13	15341-VA2-0001	Oil Pump Driver Gear	21.60	1	
14	90741-M8Q-0000	Key Woodruff 4 mm	2.90	1	

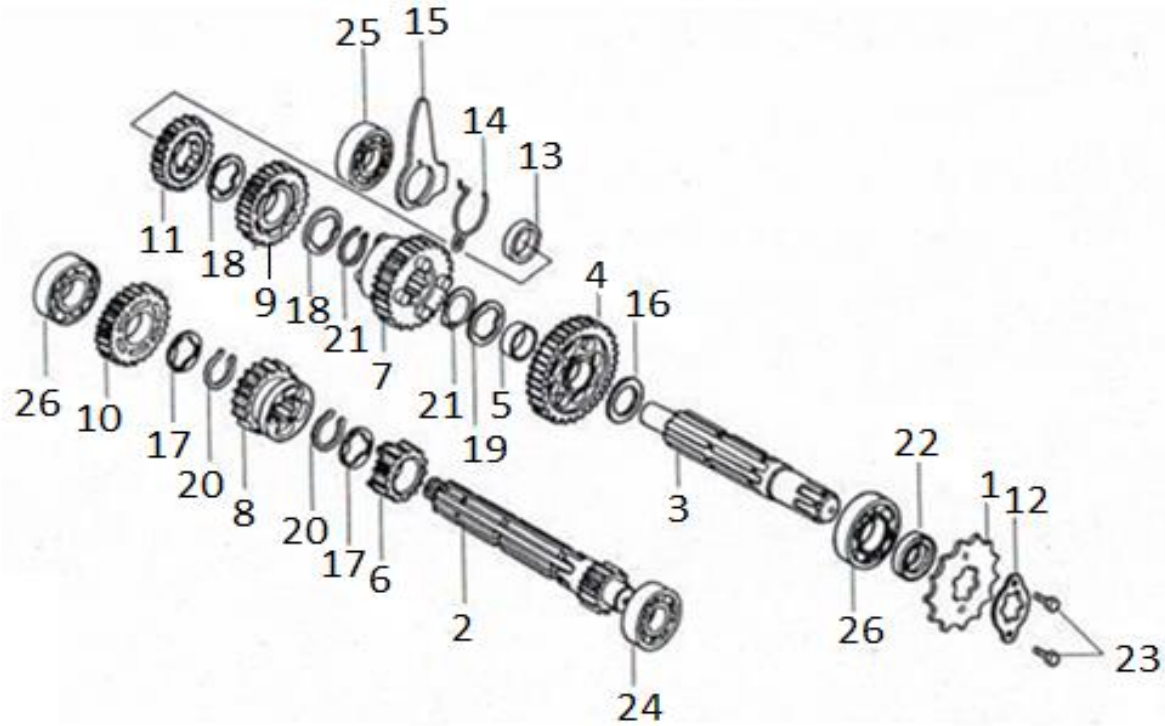


## E16 TRANSMISSION



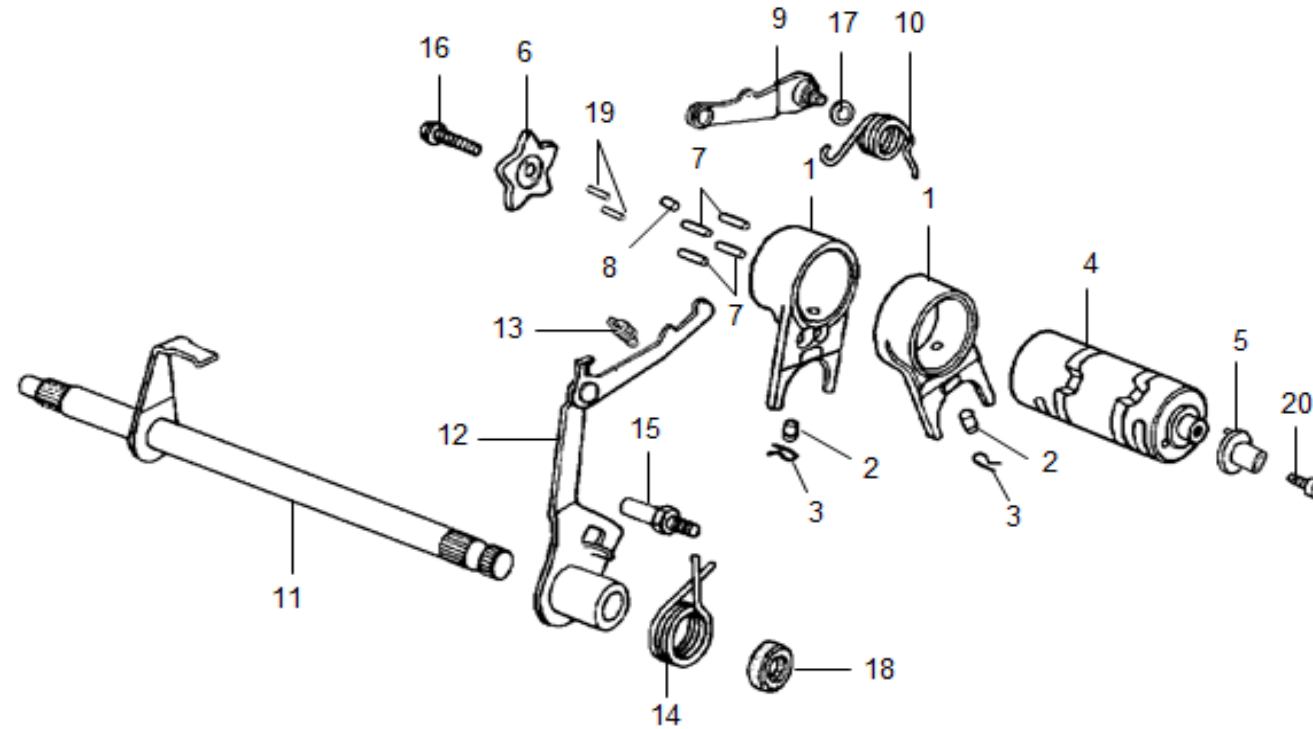
No.	Part No.	Description	Unit Price (RM/PCS)	Unit	Remark
1	22711-SB1-0000	Drive Sprocket (14T)	8.30	1	
2	23211-VA2-0000	Main Shaft (12T)	70.00	1	
3	23221-VA2-0000-M1	Counter Shaft	37.10	1	
4	23421-VA2-0001	C-1 Gear (34T)	41.90	1	
5	23422-VA2-0000	Bush 20x9	4.10	1	
6	23431-VA2-0000	M-2 Gear (17T)	36.30	1	
7	23441-VA2-0000-M1	C-2 Gear (29T)	34.60	1	
8	23451-VA2-0000	M-3 Gear (21T)	41.30	1	
9	23461-VA2-0000	C-3 Gear (26T)	45.40	1	
10	23471-VA2-0000	M-4 Gear (24T)	45.40	1	
11	23481-VA2-0001	C-4 Gear (23T)	45.30	1	
12	23802-M36-0000	Drive Sprocket Fixing Plate	1.40	1	
13	23911-VA2-0000	Collar	0.90	1	
14	24305-VA2-0000-M1	Gear Shift Drum Lock Spring	1.90	1	
15	24306-VA2-0000	Gear Shift Drum Lock Plate	4.50	1	
16	90452-VA2-0000	Thrust Washer 17 mm	-	X	stop supply

# E16 TRANSMISSION



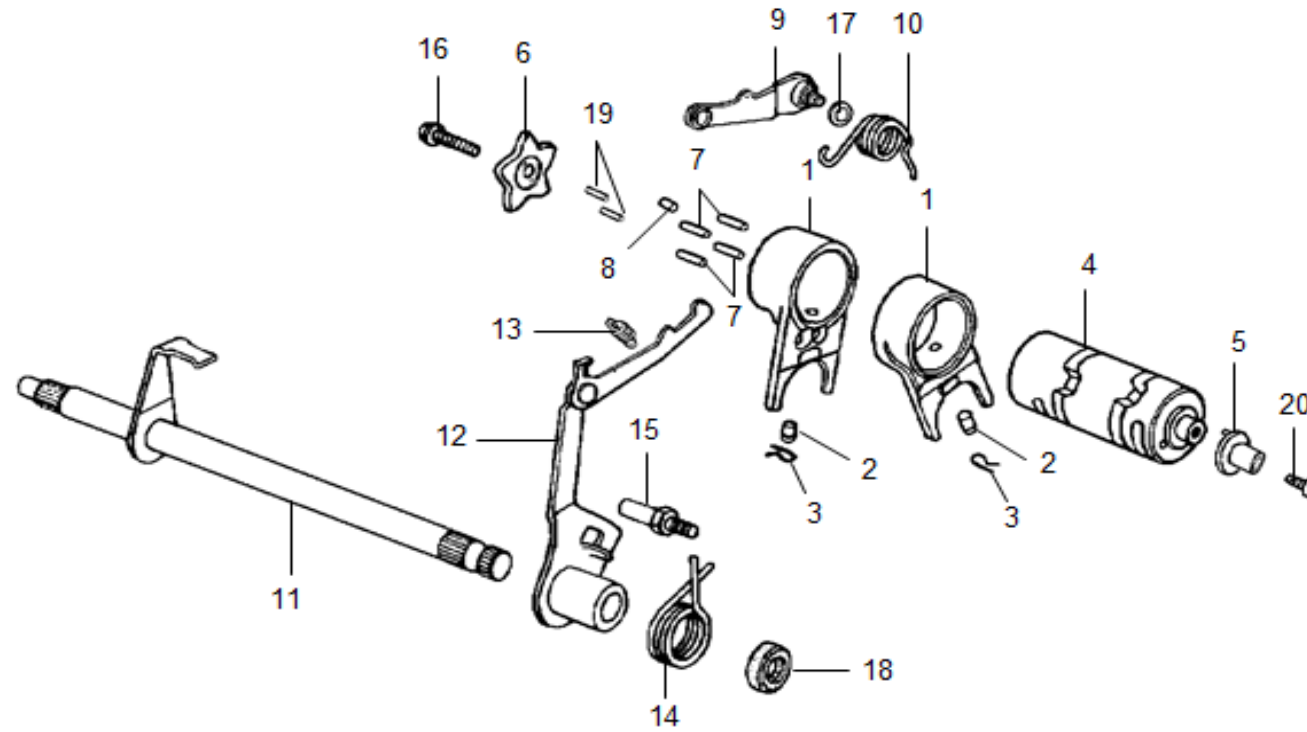
No.	Part No.	Description	Unit Price (RM/PCS)	Unit	Remark
17	90461-VA2-0000-M1	Spline Washer 17 mm	0.70	2	
18	90462-VA2-0000	Spline Washer 20 mm	1.20	2	
19	90463-VA2-0000	Spline Washer 20x1.2	2.00	1	
20	90601-A08-0001	Ex. Cir-Clip 17 mm	1.20	2	
21	90605-VA2-0000	Set Ring 20 mm	1.80	2	
22	91203-GB5-761	Oil Seal 17x29x5	2.90	1	
23	92101-06010-0H	Hex Bolt 6x10	0.90	2	
24	96140-60010-00	Radial Ball Bearing 6001 (CJB)	11.70	1	
25	96100-62013-00	Radial Ball Bearing 6201 (TPI)	12.80	1	
26	96120-62030-10	Radial Ball Bearing 6203TZ/2A	17.40	2	

## E17 GEAR SHIFT DRUM



No.	Part No.	Description	Unit Price (RM/PCS)	Unit	Remark
1	24211-A01-A000-VN	Gear Shift Fork	30.00	2	
2	24261-A01-A000-VN	Gear Shift Fork Guide Pin	2.00	2	
3	24263-A01-A000-VN	Gear Shift Fork Guide Pin Clip	1.20	2	
4	24301-A01-A000-VN	Gear Shift Drum	71.60	1	
5	24320-VA2-0000	Contact Drive Plate Comp.	12.10	1	
6	24411-A01-A000-VN	Gear Shift Cam	2.00	1	
7	24421-A01-A000-VN	Gear Shift Drum Pin	1.20	4	
8	24422-A01-A000-VN	Gear Shift Drum Pin 8.7 mm	1.20	1	
9	24430-VA2-0002	Shift Drum Stopper Comp.	11.30	1	
10	24435-VA2-0001	Gear Shift Drum Stopper Spring	1.70	1	
11	24610-VA2-3002	Gear Shift Spindle Comp.	-	x	stop supply
12	24630-VA2-0003	Gear Shift Arm Comp.	38.90	1	
13	24641-041-0002	Gear Shift Arm Spring	2.40	1	
14	24651-M8Q-0000	Gear Shift Return Spring	2.70	1	
15	24652-A08-0001	Shift Arm Stopper Pin	2.30	1	
16	90071-A01-A000-VN	Knock Bolt 6 mm	1.10	1	

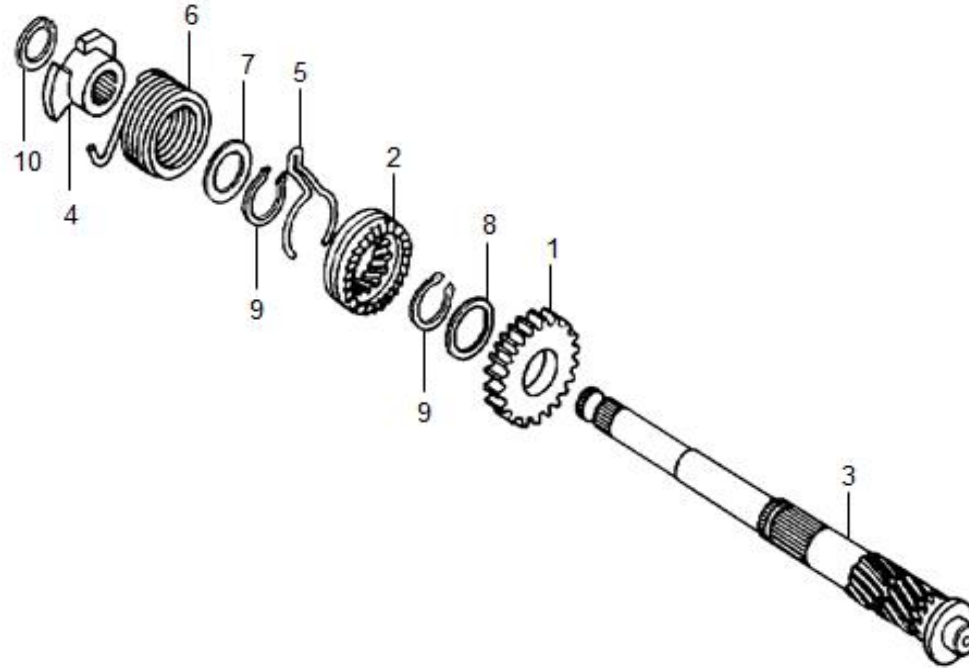
# E17 GEAR SHIFT DRUM



No.	Part No.	Description	Unit Price (RM/PCS)	Unit	Remark
17	90479-X01-0000	Washer 6 mm	0.80	1	
18	91208-VA2-0000	Oil Seal 11.6x24x10	14.50	1	
19	96220-30085	Roller 3x8.5	0.80	2	
20	96700-06016-00	Socket Bolt 6x16	0.80	1	

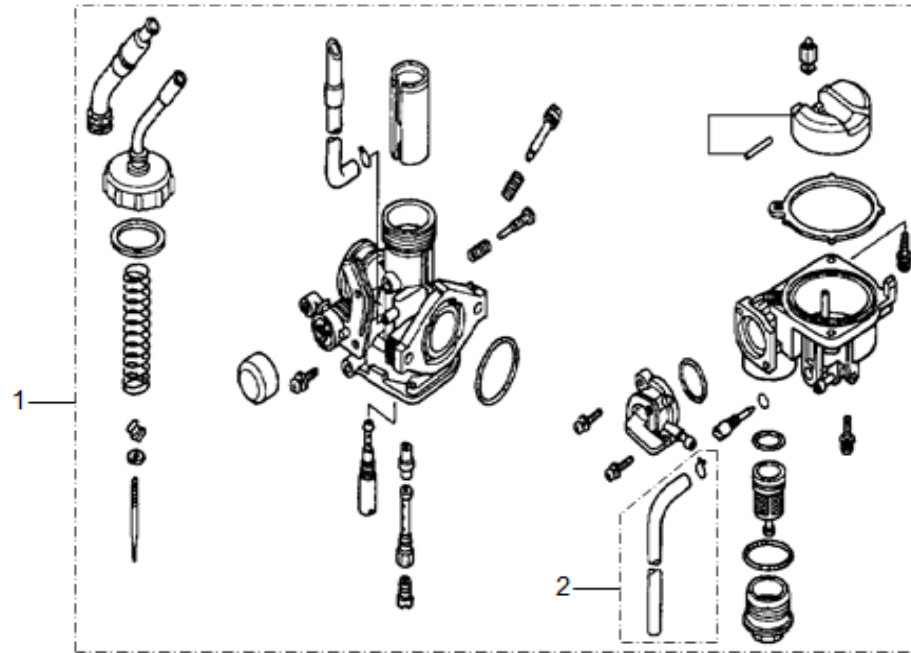


## E18 KICK STARTER SPINDLE



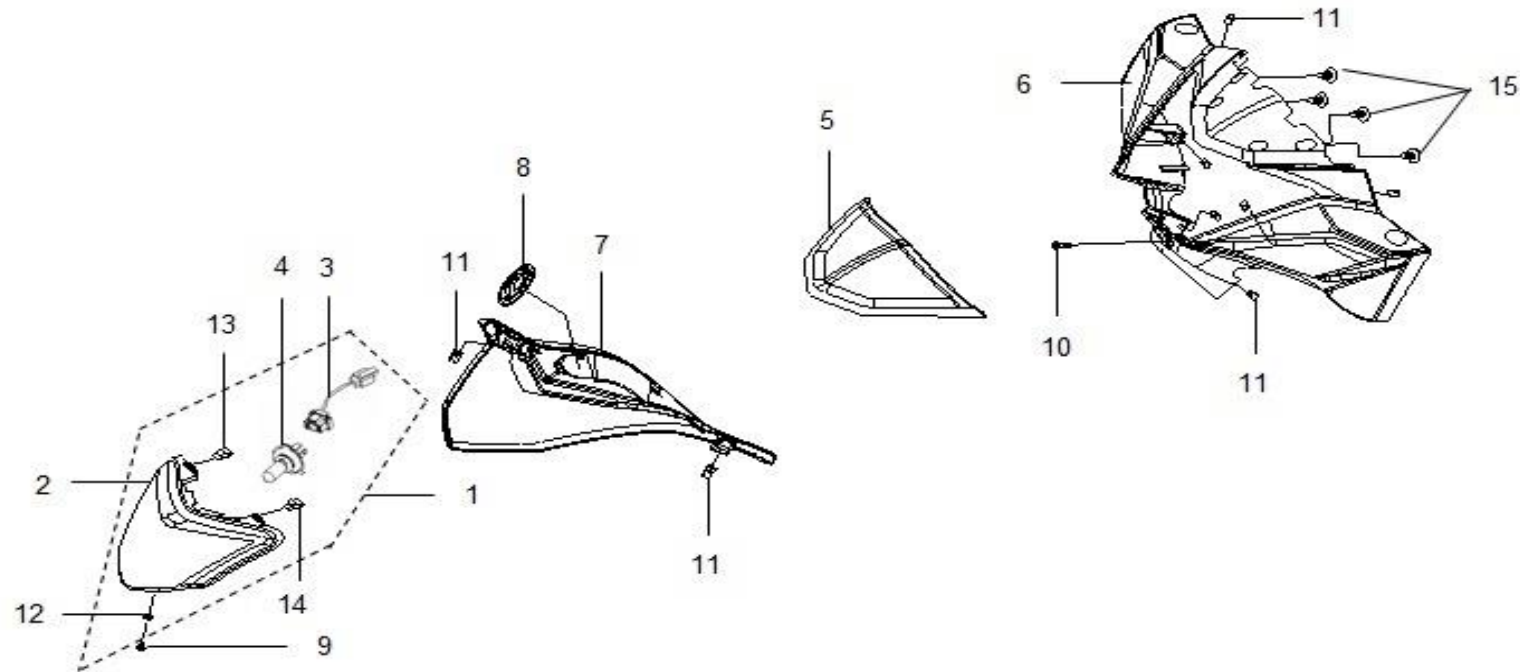
No.	Part No.	Description	Unit Price (RM/PCS)	Unit	Remark
1	28211-178-0000	Kick Starter Pinion (22T)	18.00	1	
2	28221-A13-0000	Starter Drive Ratchet	13.60	1	
3	28251-VA2-0000	Kick Starter Spindle	-	X	Please Order 28210-A01-A10-VN
4	28262-A01-A000	Kick Spring Retainer	-	X	stop supply
5	28271-121-6900	Starter Pinion Friction Spring	3.30	1	
6	28281-035-0180	Kick Starter Spring	-	X	Please Order 28210-A01-A10-VN
7	90452-A13-000	Washer 17 mm	3.00	1	
8	90454-B04-0002	Thruster Washer 20 mm	1.70	1	
9	90605-VA2-0000	Set Ring 20 mm	1.80	2	
10	94510-16000-00	Cir-Clip 16 mm	2.30	1	
	28210-A01-A10-VN	Kick Spindle Assy	37.70	1	Parent Part

# E19 EXHAUST MUFFLER



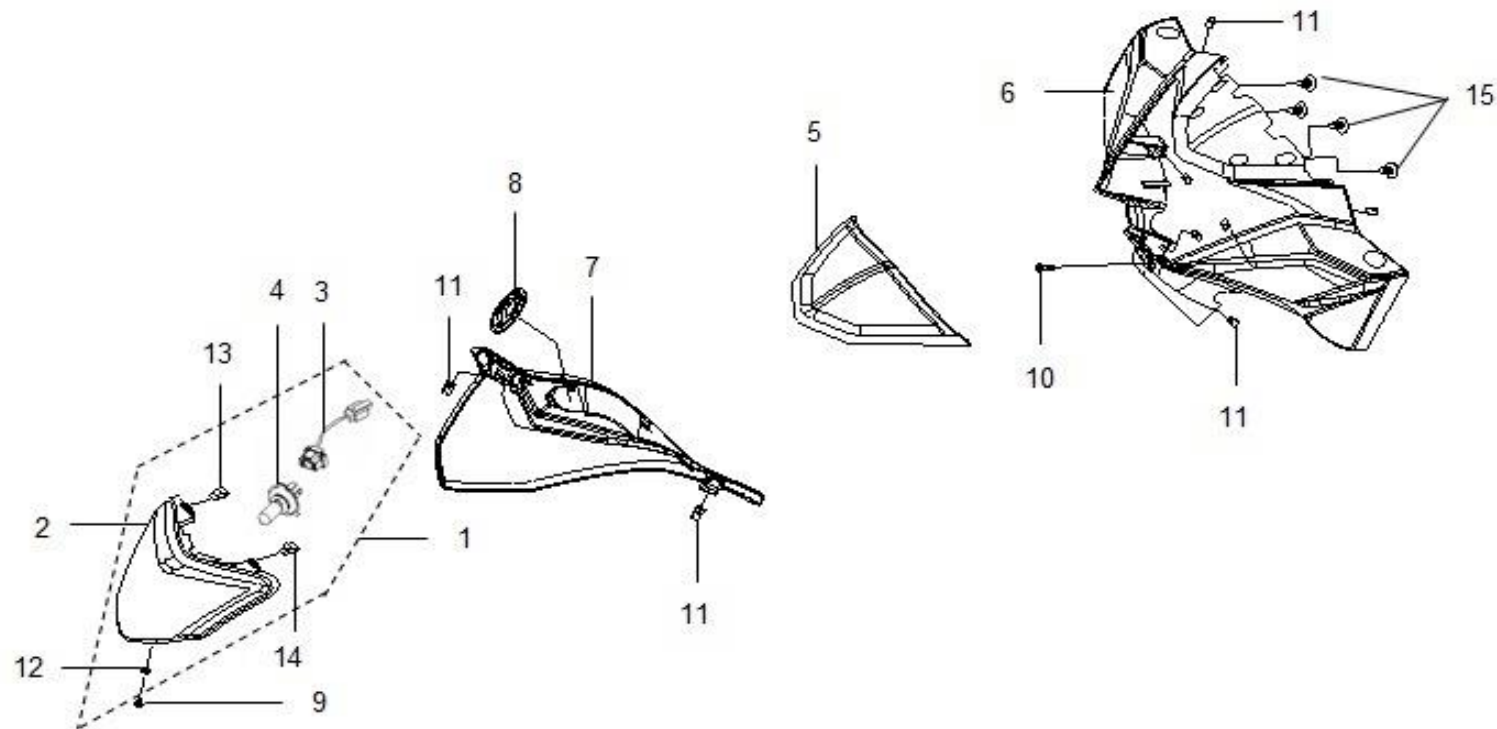
No.	Part No.	Description	Unit Price (RM/PCS)	Unit	Remark	
1	16100-VB4-0000-VN	Carburetor Ass'y	252.10	1		
2	16101-VA6-0000	Rubber Tube Ass'y	1.40	1		

# F01 HEAD LIGHT



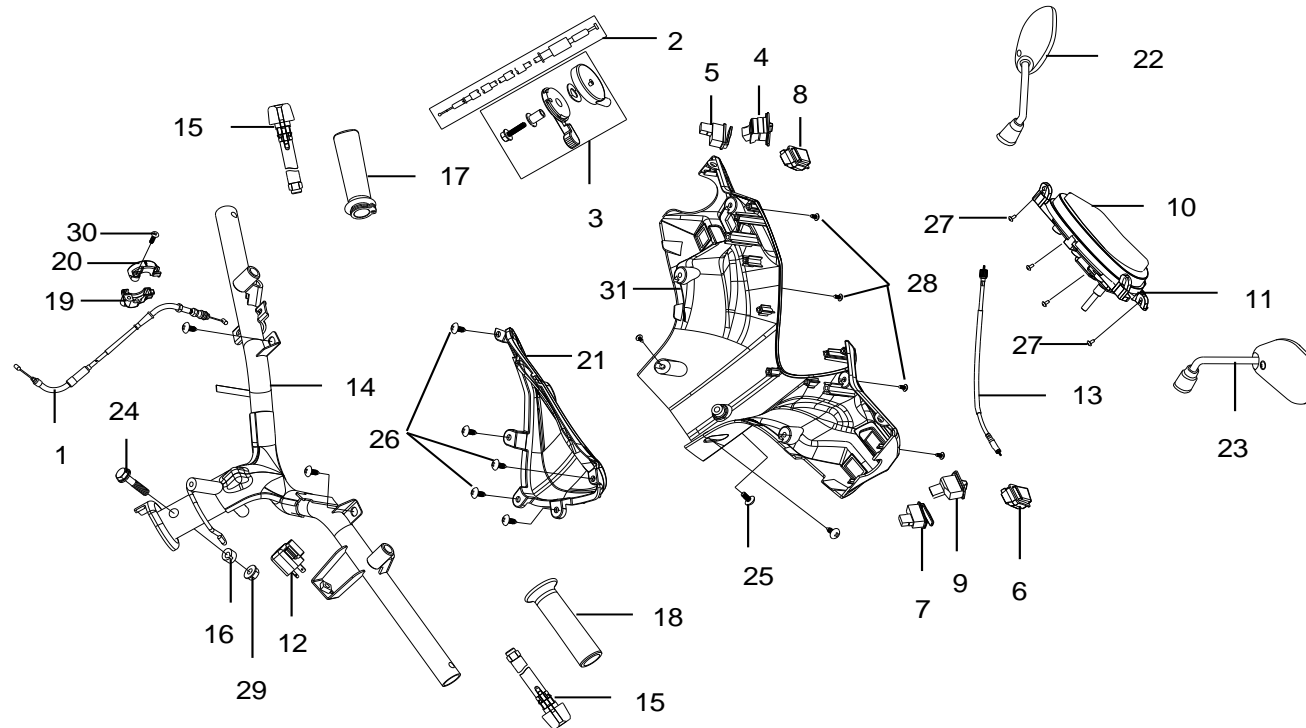
No.	Part No.	Description	Unit Price (RM/PCS)	Unit	Remark
1	33100-KAD-0000	Head Light Ass'y	141.60	1	
2	33101-KAA-0000	Head Light Lens	20.50	1	
3	33180-KAD-0001	Socket Comp.	11.70	1	
4	34901-SA5-0000	Head Light Bulb	29.50	1	
5	53204-VBA-0000-DJ	Fr. Handle Cover Visor (BU-202S) - Blue	19.60	1	VBA
5	53204-VBA-0000-KB	Fr. Handle Cover Visor (BK-500C) - Black	19.60	1	VBA
5	53204-VBA-0000-RB	Fr. Handle Cover Visor (R-010CA) - Red	19.60	1	VBA, VBA MMC
5	53204-VBA-0000-DU	Fr. Handle Cover Visor (BU-203S) - Blue	19.60	1	VBA MMC
5	53204-VBA-0000-YF	Fr. Handle Cover Visor (Y-985) - Yellow	19.60	1	VBA MMC
6	53205-VBA-0001-WB	Fr. Handle Cover (WH-058P) - White	52.10	1	VBA
6	53205-VBA-0001-KB	Fr. Handle Cover (BK-500C) - Black	52.10	1	VBA, VBA MMC
7	64314-VBA-0000-WB	Fr. Top Cover Emblem (WH-058P) - White	39.90	1	VBA
7	64314-VBA-0000-KB	Fr. Top Cover Emblem (BK-500C) - Black	39.90	1	VBA MMC
7	64314-VBA-9001-RB	Fr. Top Cover Emblem (R-010CA) - Red	39.90	1	VBA
8	87554-AZA-000	S Logo	16.70	1	
9	90101-VT5-0000	Head Light Bolt	1.10	1	

# F01 HEAD LIGHT



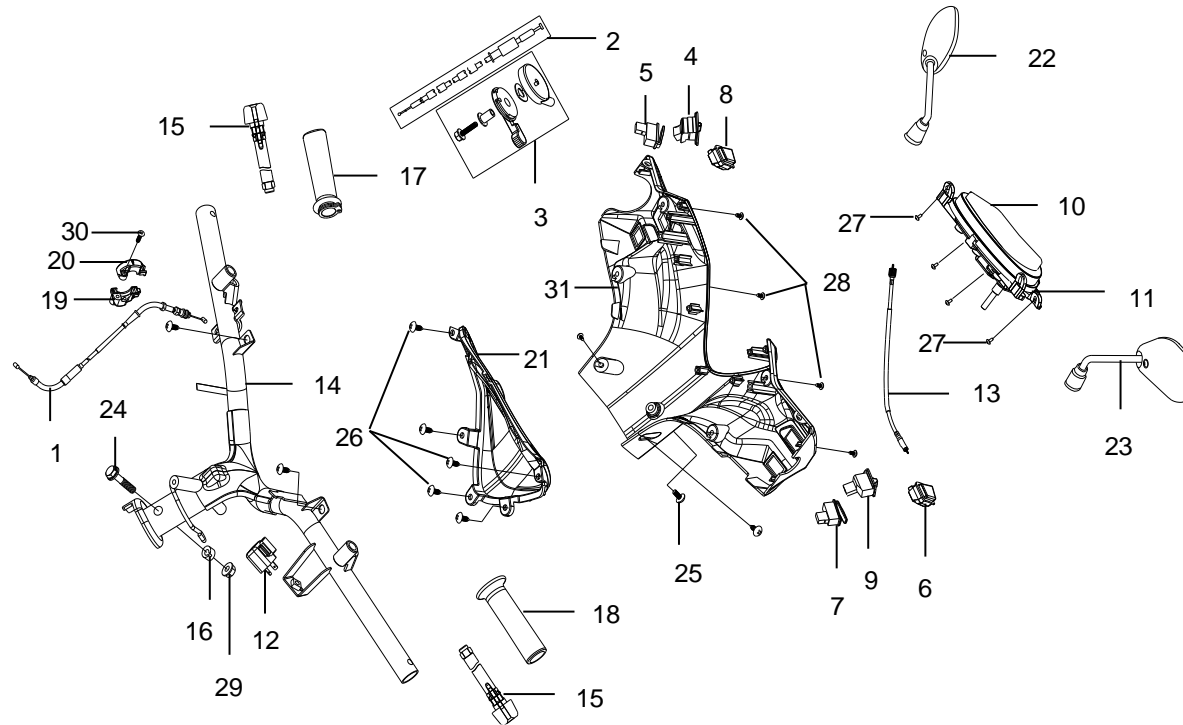
No.	Part No.	Description	Unit Price (RM/PCS)	Unit	Remark
10	90113-M8Q-000	Special Screw 6mm	2.40	1	
11	90302-SA4-003B	Spring Nut 4mm	0.80	5	
12	90307-M9Q-0000	Lock Washer 6mm	1.10	1	
13	90651-KAD-0000	Rh. Head Light Clip	1.10	1	
14	90652-KAD-0000	Lh. Head Light Clip	1.10	1	
15	93903-34320	Tapping Screw 4*12	0.90	4	

## F02 HANDLE COVER - BACK MIRROR



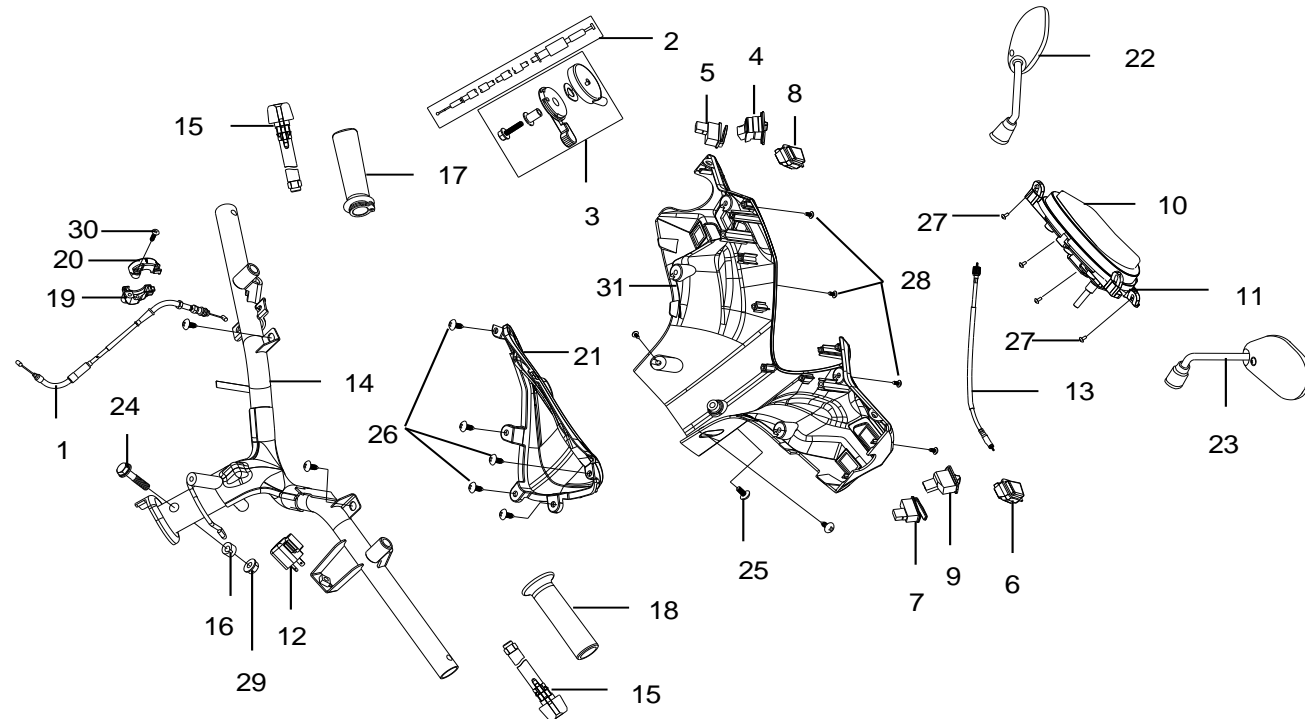
No.	Part No.	Description	Unit Price (RM/PCS)	Unit	Remark
1	17910-VBA-0001	Throttle Cable Comp.	12.00	1	
2	17950-VBA-0001	Chock Cable Comp	7.70	1	
3	1795A-VAH-0000	Choke Lever Set	7.80	1	
4	35150-M9Q-0002	Lighting Sw. Unit	12.10	1	
5	35160-KAS-0000	Start Sw. Unit	12.10	1	
6	35170-SAF-0000	Dimmer Sw. Unit	9.80	1	
7	35180-KAS-0000	Horn Sw. Unit	13.00	1	
8	35190-VT5-0000	Seat Open Sw. Unit	19.50	1	
9	35200-M9Q-0001	Winker Sw. Unit	12.10	1	
10	37119-KAS-0001	Upper Case	21.70	1	
11	37200-VBA-9001	Speedometer Assy	230.60	1	
12	38300-VA3-0000	Winker Relay Ass'y	18.80	1	
13	44830-VCB-0000	Speedometer Cable Comp.	9.50	1	
14	53100-VBA-0002	Handle Pipe Comp.	108.00	1	
15	53102-VB4-000-PH	Handle Pipe Wt. Ass'y	23.40	2	
16	53125-M9Q-000	Handle Set Collar	14.80	1	

# F02 HANDLE COVER - BACK MIRROR



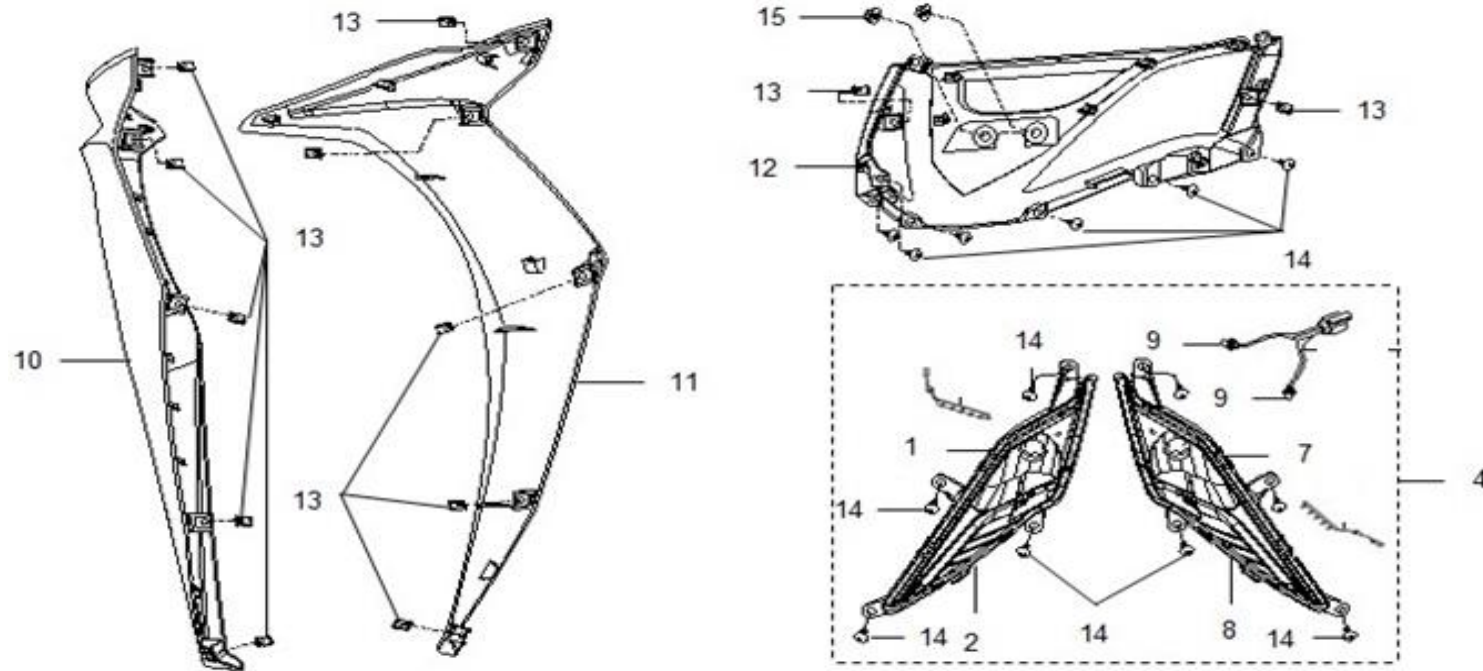
No.	Part No.	Description	Unit Price (RM/PCS)	Unit	Remark
17	53140-VWD-0003	R. Handle Grip	10.90	1	
18	53166-VWD-0002	L. Handle Grip	6.60	1	
19	53167-H09-9001-L1	Throttle Under Housing	3.90	1	
20	53168-H09-0001	Throttle Upper Housing	3.90	1	
21	53203-VBA-0000-WB	Meter Granish (WH-058P) - White	18.10	1	VBA
21	53203-VBA-0000-KB	Meter Granish (BK-500C) - Black	18.10	1	VBA
21	53203-VBA-0000-RB	Meter Granish (R-010CA) - Red	18.10	1	VBA, VBA MMC
21	53203-VBA-0000-DU	Meter Granish (BU-203S) - Blue	18.10	1	VBA MMC
21	53203-VBA-0000-YF	Meter Granish (Y-985) - Yellow	18.10	1	VBA MMC
22	AC-88110-VBA-0000	R. Back Mirror Ass'y	-	x	Please Order 8811A-VBA-0000
23	AC-88120-VBA-0000	L. Back Mirror Ass'y	-	x	Please Order 8811A-VBA-0000
	8811A-VBA-0000	Back Mirror Assy	18.00	1	
24	90106-TAA-0001	Flange Bolt 10*50	1.70	1	
25	91509-GE2-7601-L1	Pan Screw 5*11.5	0.40	1	
26	93903-34320	Tapping Screw 4*12	0.90	5	
27	93903-35320	Tapping Screw 5*16	1.20	4	

# F02 HANDLE COVER - BACK MIRROR



No.	Part No.	Description	Unit Price (RM/PCS)	Unit	Remark
28	93903-34320	Tapping Screw 4*12	0.90	8	
29	94050-10070	Flange Nut 10 mm	2.40	1	
30	93500-05022-00	Pan Screw 5*22	0.40	1	
31	53206-VBA-0002-WB	Rr. Handle Cover (WH-058P) - White	51.10	1	VBA, VBA MMC
31	53206-VBA-0002-DJ	Rr. Handle Cover (BU-202S) - Blue	51.10	1	VBA
31	53206-VBA-0002-KB	Rr. Handle Cover (BK-500C) - Black	51.10	1	VBA
31	53206-VBA-0002-RB	Rr. Handle Cover (R-010CA) - Red	51.10	1	VBA

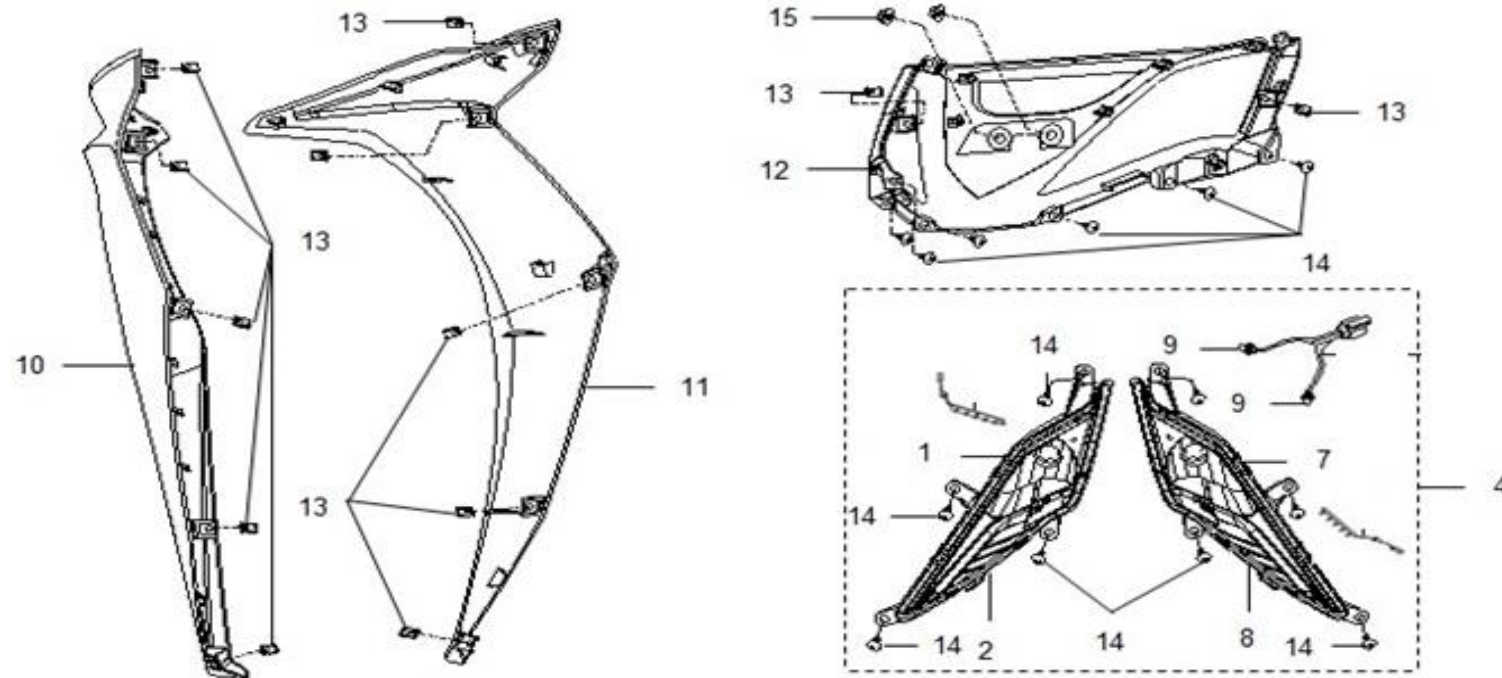
# F03 FR TOP COVER



No.	Part No.	Description	Unit Price (RM/PCS)	Unit	Remark
1	33400-VBA-0002	R. Fr. Winker Ass'y	61.50	1	
2	33402-VBA-0000	R. Fr. Winker Lens	9.80	1	
4	3340A-VBA-0002	Fr. Winker Ass'y	119.60	1	
7	33450-VBA-0002	L. Fr. Winker Ass'y	61.50	1	
8	33452-VBA-0000	L. Fr. Winker Lens	9.80	1	
9	34905-M9Q-0000	Winker Bulb 12V/10W	4.40	2	
10	64301-VBA-0000-WB	R. Fr. Cover (WH-058P) - White	62.90	1	VBA
10	64301-VBA-0000-KB	R. Fr. Cover (BK-500C) - Black	62.90	1	VBA
10	64301-VBA-0000-RB	R. Fr. Cover (R-010CA) - Red	62.90	1	VBA, VBA MMC
10	64301-VBA-0000-DU	R. Fr. Cover (BU-203S) - Blue	62.90	1	VBA MMC
10	64301-VBA-0000-YF	R. Fr. Cover (Y-985) - Yellow	62.90	1	VBA MMC
11	64302-VBA-0000-WB	L. Fr. Cover (WH-058P) - White	62.90	1	VBA
11	64302-VBA-0000-KB	L. Fr. Cover (BK-500C) - Black	62.90	1	VBA
11	64302-VBA-0000-RB	L. Fr. Cover (R-010CA) - Red	62.90	1	VBA, VBA MMC
11	64302-VBA-0000-DU	L. Fr. Cover (BU-203S) - Blue	62.90	1	VBA MMC
11	64302-VBA-0000-YF	L. Fr. Cover (Y-985) - Yellow	62.90	1	VBA MMC

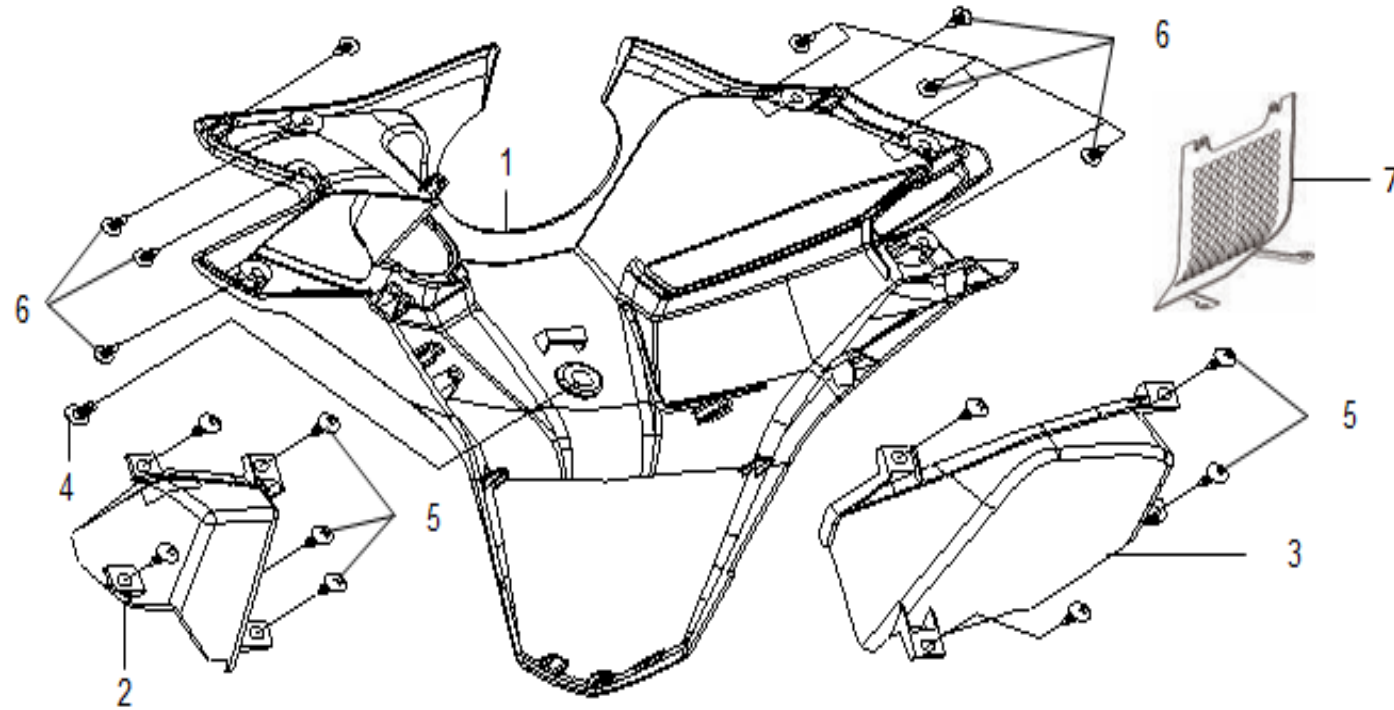


# F03 FR TOP COVER



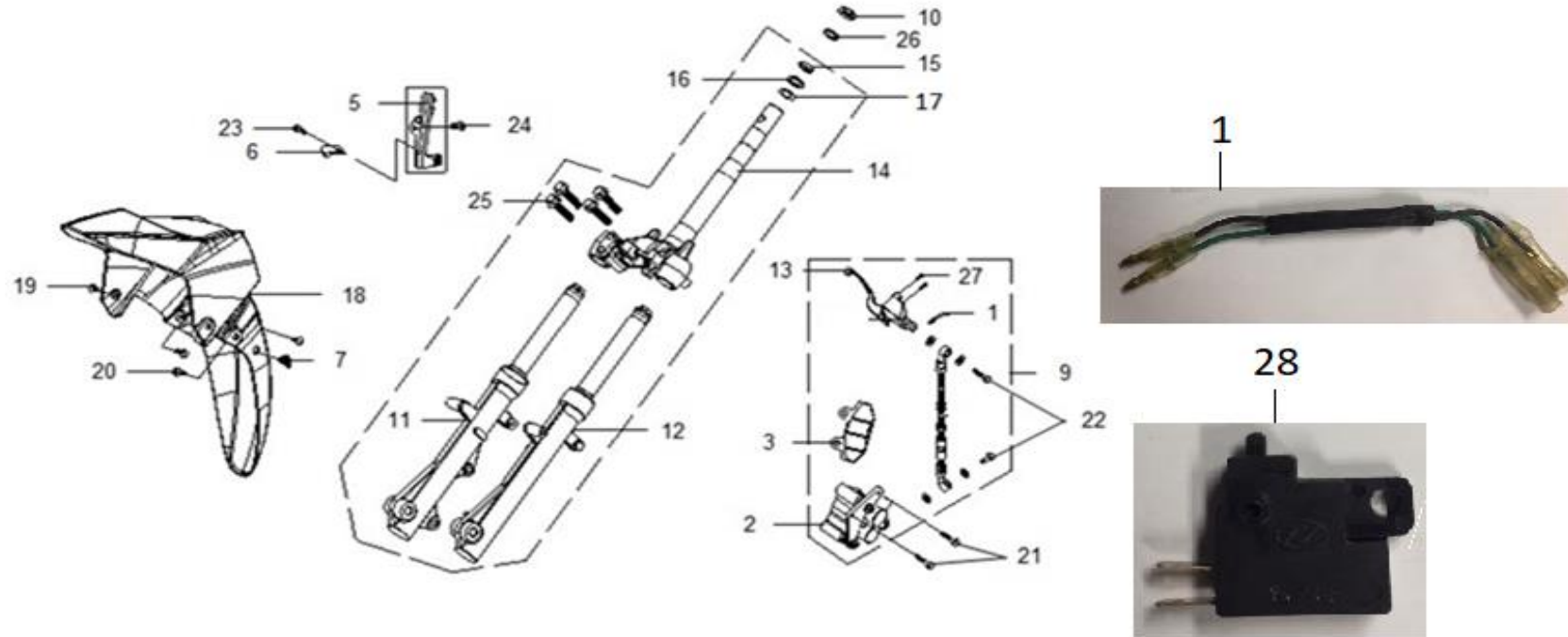
No.	Part No.	Description	Unit Price (RM/PCS)	Unit	Remark
12	64310-VBA-0000-WB	Fr. Top Cover (WH-058P) - White	73.90	1	VBA, VBA MMC
12	64310-VBA-0000-DJ	Fr. Top Cover (BU-202S) - Blue	73.90	1	VBA
12	64310-VBA-0000-KB	Fr. Top Cover (BK-500C) - Black	73.90	1	VBA
12	64310-VBA-0000-RB	Fr. Top Cover (R-010CA) - Red	73.90	1	VBA
13	90302-SA4-003B	Spring Nut 4mm	0.80	12	
14	93903-34320	Tapping Screw 4*12	0.90	13	
15	94050-06000	Flange Nut 6mm	0.80	2	

## F04 INNER COVER



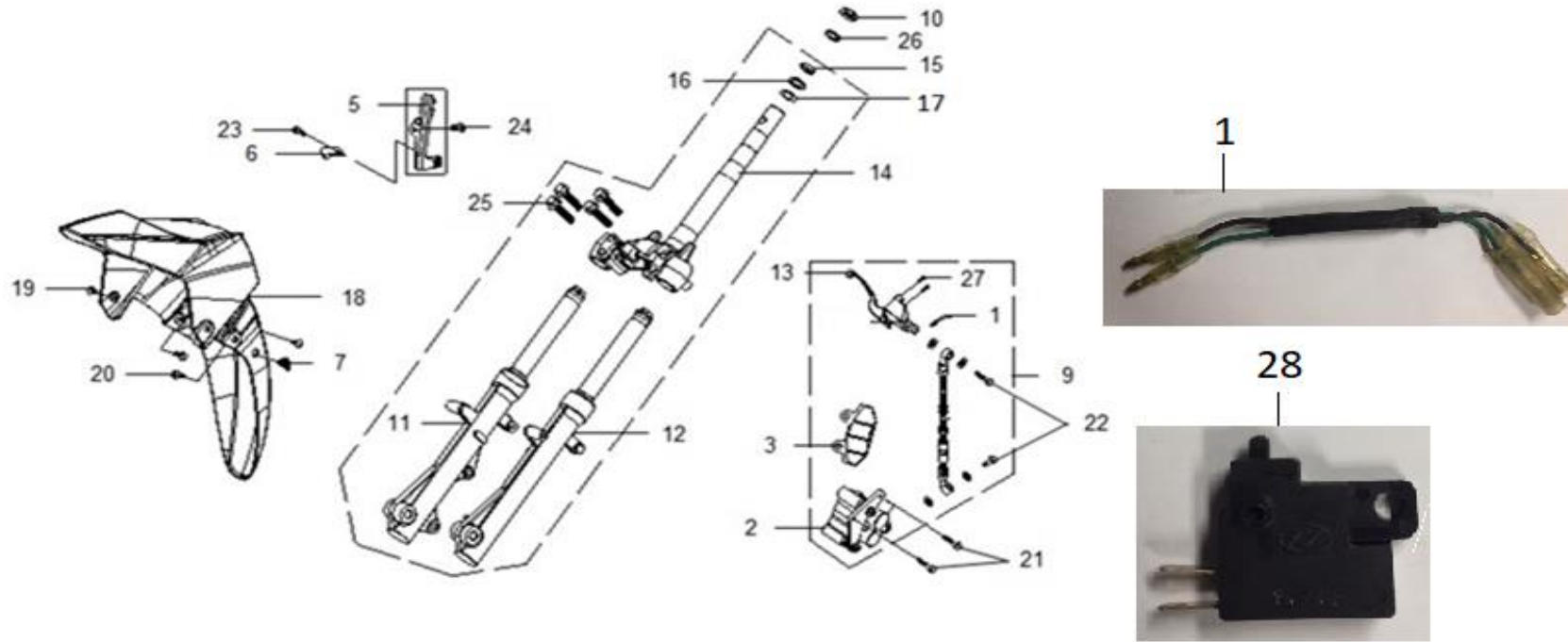
No.	Part No.	Description	Unit Price (RM/PCS)	Unit	Remark
1	64101-VBA-0002-WB	Inner Cover (WH-058P) - White	73.00	1	VBA, VBA MMC
1	64101-VBA-0002-DJ	Inner Cover (BU-202S) - Blue	73.00	1	VBA
1	64101-VBA-0002-KB	Inner Cover (BK-500C) - Black	73.00	1	VBA
1	64101-VBA-0002-RB	Inner Cover (R-010CA) - Red	73.00	1	VBA
2	64102-VBA-0001	R Inner Box	3.50	1	
3	64103-VBA-0001	L Inner Box	4.20	1	
4	90110-GZ0-0001	Special Screw 6X14	1.10	1	
5	93903-34320	Tapping Screw 4*12	0.90	9	
6	93903-34320	Tapping Screw 4*12	0.90	8	
7	AC-COWLING	COWLING - SPORT BONUS	22.10	1	

# F05 FRONT FORK SET



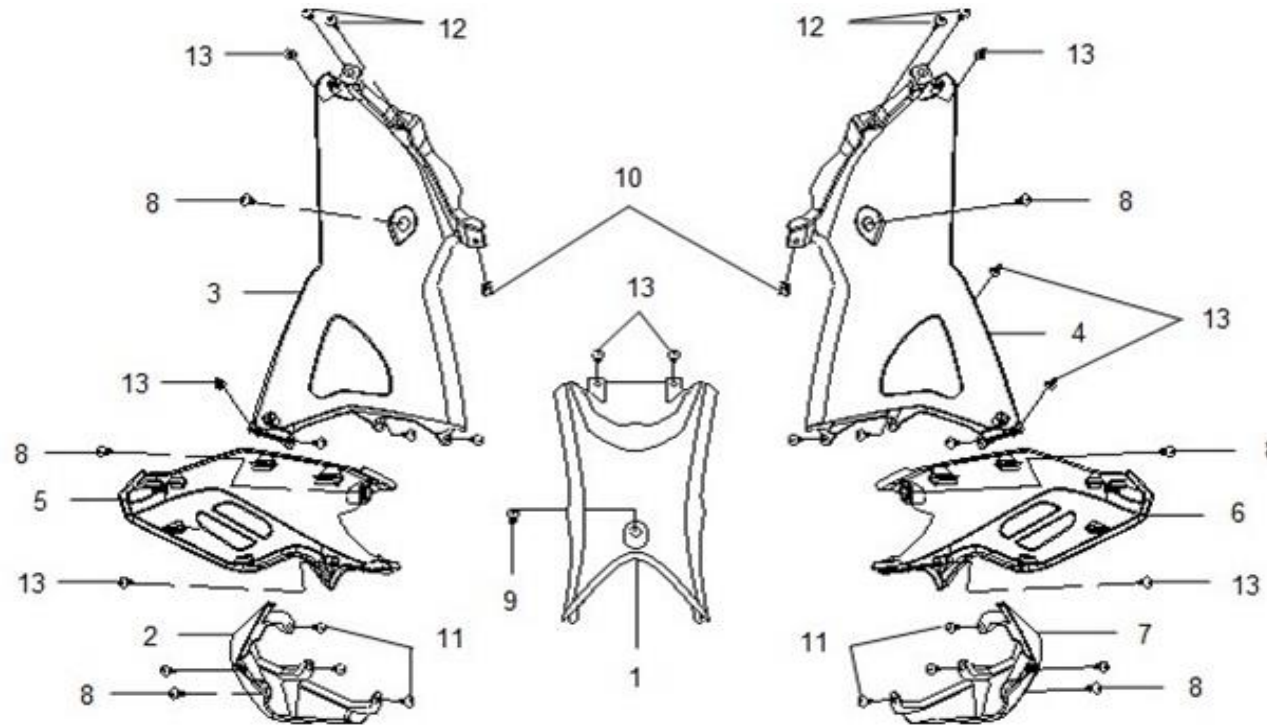
No.	Part No.	Description	Unit Price (RM/PCS)	Unit	Remark
1	35342-M3G-0000	Fr. Stop Sw. Cord Comp.	7.00	1	
2	45100-VBA-0001-VN	Fr. Caliper Ass'y	163.20	1	
3	45105-VA1-0000	BRAKE PAD COMP.	43.50	1	
5	45156-VBA-0000	Brake Hose Clamp	11.30	1	
6	45157-VA1-0001	Brake Hose Clamper B	3.00	1	
7	45451-N02-0000	Wire Grommet	1.60	1	
9	4550A-VBA-0001-VN	Fr. Brake Ass'y	395.00	1	
10	50305-M36-0001	Strg. Bottom Ball Race	9.10	1	
11	51400-VBA-0001-T1	R. Fr. Cushion Ass'y	130.00	1	Shorter
	51400-VBA-0002-T1-M1	R. Fr. Cushion Ass'y (New)	164.00	1	Longer
12	51500-VBA-0002-T1-M1	L. Fr. Cushion Ass'y (New)	164.00	1	Longer
13	53176-VBA-0001-VN	R. Strg. Hndl. Lever	18.20	1	
14	5320B-VBA-0002	Strg. Stem Comp. Set	124.40	1	
15	53212-VA3-0000	Strg. Bottom Cone Race	11.80	1	
16	53214-X04-0000	Strg. Handle Dust Seal	3.10	1	
17	53215-X04-0001	Strg. Handle Dust Seal Washer	1.30	1	

# F05 FRONT FORK SET



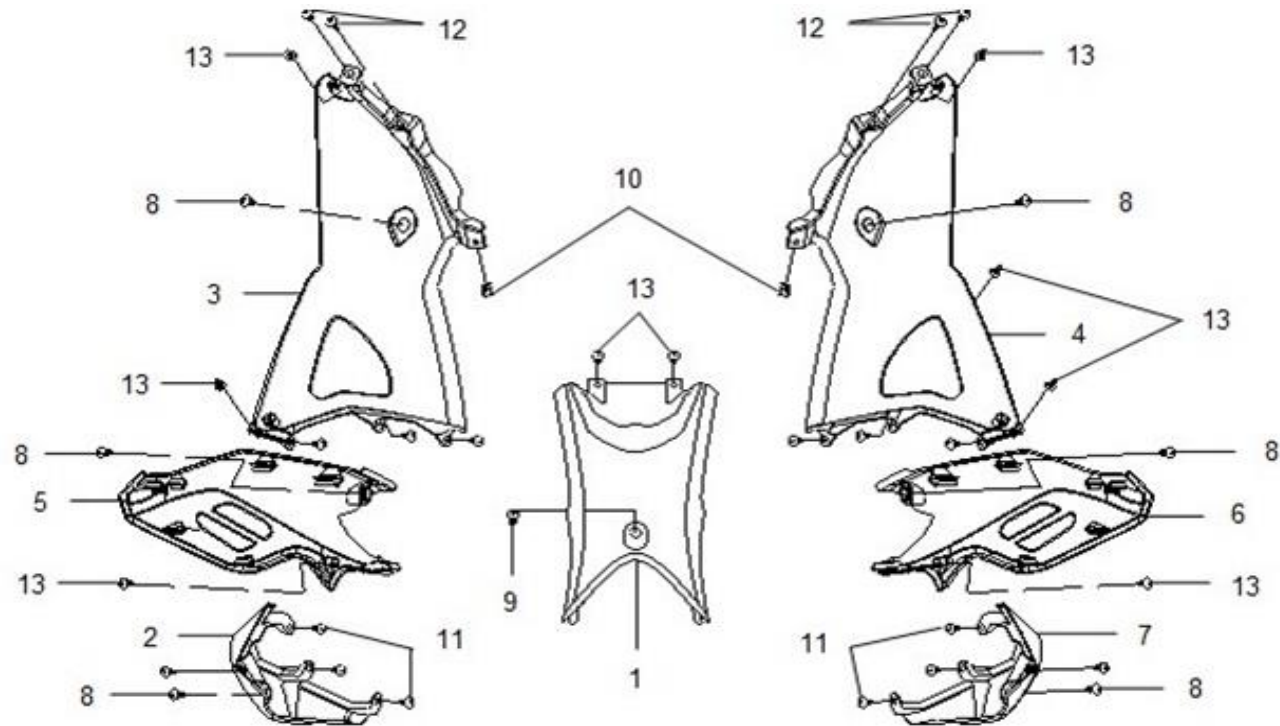
No.	Part No.	Description	Unit Price (RM/PCS)	Unit	Remark
18	61100-VBA-0000-WB	Fr. Fender (WH-058P) - White	47.30	1	VBA
18	61100-VBA-0000-DJ	Fr. Fender (BU-202S) - Blue	47.30	1	VBA
18	61100-VBA-0000-RB	Fr. Fender (R-010CA) - Red	47.30	1	VBA, VBA MMC
18	61100-VBA-0000-DU	Fr. Fender (BU-203S) - Blue	47.30	1	VBA MMC
18	61100-VBA-0000-YF	Fr. Fender (Y-985) - Yellow	47.30	1	VBA MMC
19	90110-GZ0-0001	Special Screw 6X14	1.10	1	
20	90111-M9Q-8000-L1	Flange Bolt 6mm	0.80	2	
21	90122-VA1-0000	Flange Bolt 8X28	2.70	2	
22	90145-MS9-611	Oil Bolt 10*22	6.60	2	
23	93500-06010-OA	Pan Screw 6*10	1.30	1	
24	95801-06025-08	Flange Bolt 6*25	0.80	1	
25	95801-10045-07	Flange Bolt 10*45	4.60	4	
26	96211-06000	Steel Ball 6	0.80	28	
27	96700-06012-08-L1	Socket Bolt 6*12	0.80	2	
28	35340-KBN-900	Fr. Stop Switch Ass'y	41.80	1	

## F06 FRONT COVER-MAIN PIPE UP COVER



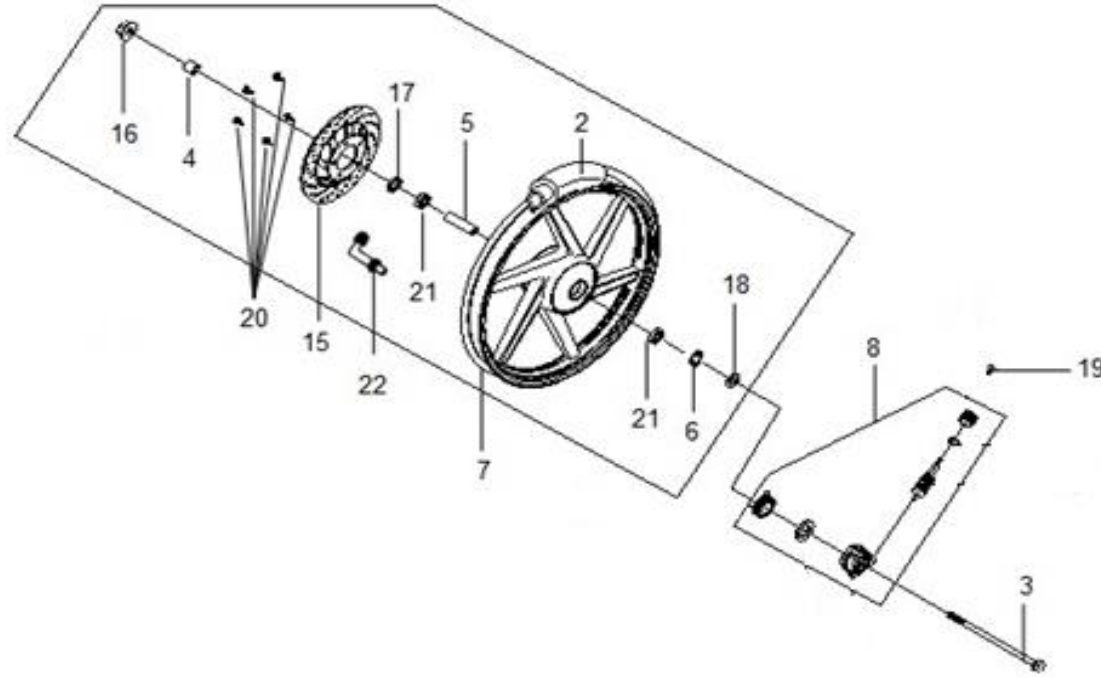
No.	Part No.	Description	Unit Price (RM/PCS)	Unit	Remark
1	64100-VBA-0002	Main Pipe Up Cover	13.00	1	
2	64300-VBA-0001	R. Under Spoiler	6.60	1	
3	64303-VBA-0001	R. Main Pipe Cover A	23.80	1	
4	64304-VBA-0001	L. Main Pipe Cover A	23.80	1	
5	64323-VBA-0000-WB	R. Main Pipe Cover B (WH-058P) - White	44.00	1	VBA
5	64323-VBA-0000-DJ	R. Main Pipe Cover B (BU-202S) - Blue	44.00	1	VBA
5	64323-VBA-0000-KB	R. Main Pipe Cover B (BK-500C) - Black	44.00	1	VBA, VBA MMC
5	64323-VBA-0000-RB	R. Main Pipe Cover B (R-010CA) - Red	44.00	1	VBA
6	64324-VBA-0000-WB	L. Main Pipe Cover B (WH-058P) - White	44.00	1	VBA
6	64324-VBA-0000-DJ	L. Main Pipe Cover B (BU-202S) - Blue	44.00	1	VBA
6	64324-VBA-0000-KB	L. Main Pipe Cover B (BK-500C) - Black	44.00	1	VBA, VBA MMC
6	64324-VBA-0000-RB	L. Main Pipe Cover B (R-010CA) - Red	44.00	1	VBA
7	64400-VBA-0001	L. Under Spoiler	6.60	1	
8	90110-GZ0-0001	Special Screw 6X14	1.10	4	
9	90110-VVC-0000	Special Screw 6*16	1.70	1	
10	90302-SA4-003B	Spring Nut 4 mm	0.80	2	

### F06 FRONT COVER-MAIN PIPE UP COVER



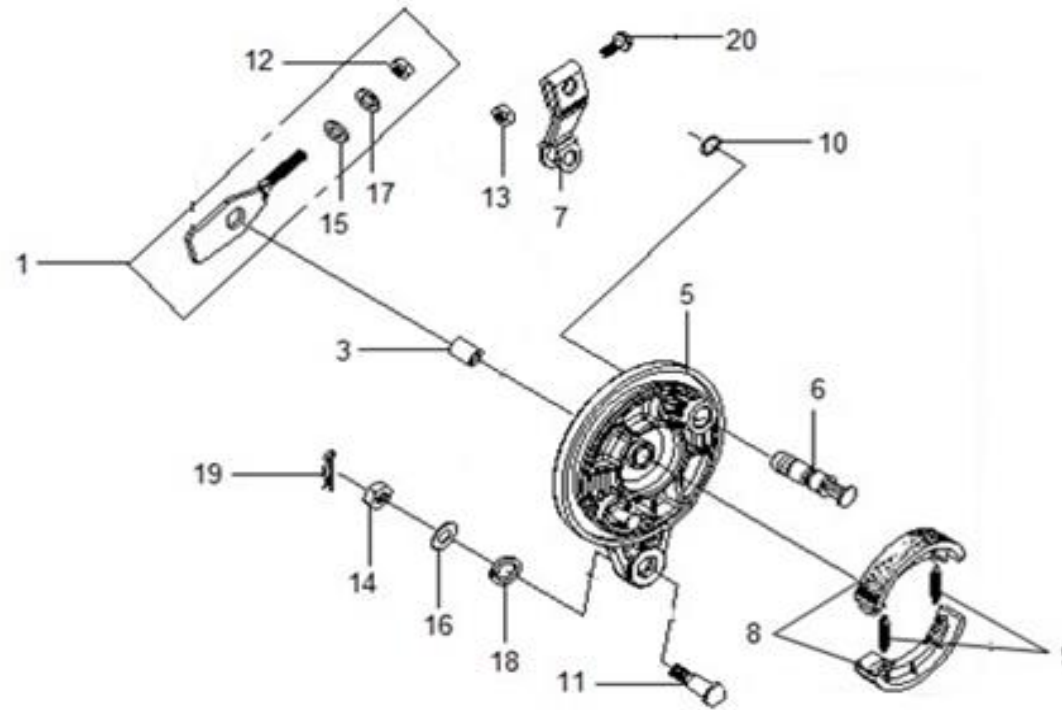
No.	Part No.	Description	Unit Price (RM/PCS)	Unit	Remark	
11	93903-34320	Tapping Screw 4x12	0.90	6		
12	93903-35220	Tapping Screw 5X12	1.20	4		
13	93903-44380	Tapping Screw 4X12	2.10	8		

## F07 FRONT WHEEL-BRAKE DISK



No.	Part No.	Description	Unit Price (RM/PCS)	Unit	Remark
2	44710-VBA-0001	Fr. Tubeless Tire Ass'y	120.90	1	
3	44301-VA5-0001	Fr. Wheel Axle	9.50	1	
4	44311-VVB-0000	Fr. Wheel Side Collar	5.00	1	
5	44620-VA1-0000	Fr. Axle Distance Collar	3.20	1	
6	44680-VA1-0000	Gear Box Retainer	2.20	1	
7	44701-VBA-0003-T1-VN	Fr. Wheel Cast	345.30	1	provide while stock last
8	44800-VA1-0001	Gear Box Ass'y	47.10	1	
15	45121-VBA-0002-VN	Fr. Brake Disk	172.60	1	
16	90306-SB1-0000	Fr. Axle Nut	3.50	1	
17	91252-030-003	Oil Seal 23x37x7	5.90	1	
18	91258-410-0061-L1	Dust Seal 40x50x5	4.40	1	
19	93891-05022-07	Washer Screw 5x22	0.80	1	
20	90106-N02-0002	Fr. Disk Bolt	3.50	4	
21	96150-63010-10-VN	Radial Ball Bearing 6301 (UU)	13.40	2	
22	42753-VVA-0000	Rim Valve	15.20	1	

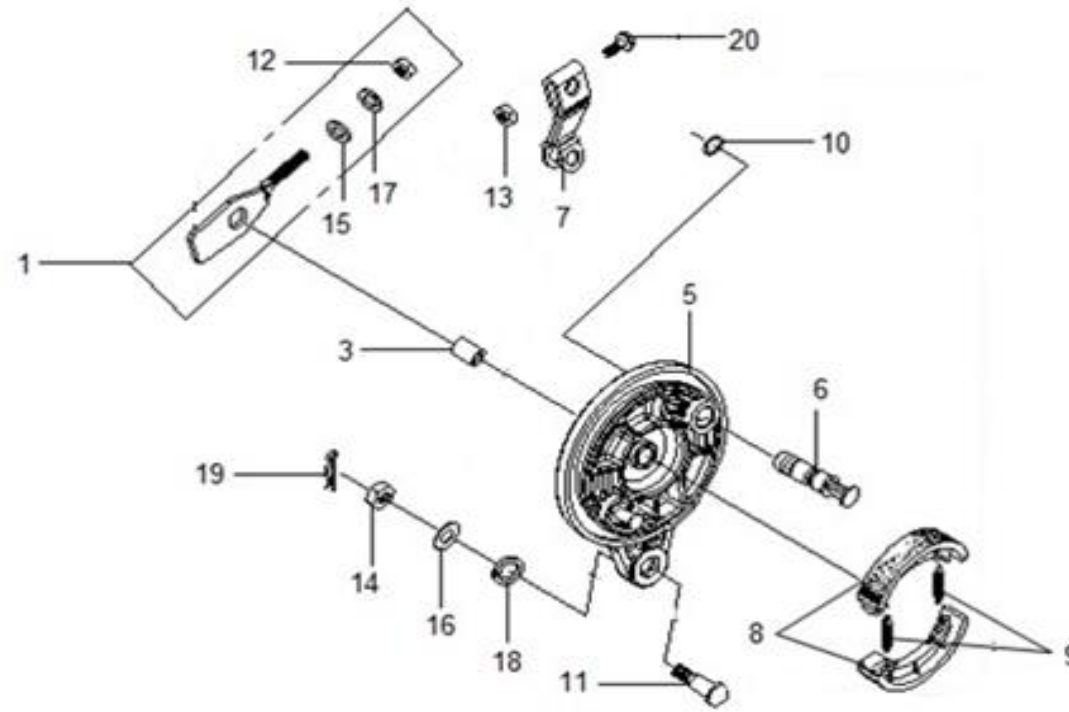
## F08 REAR BRAKE PANEL



No.	Part No.	Description	Unit Price (RM/PCS)	Unit	Remark
1	4054A-VAD-0000	R. Drive Chain Adjuster Ass'y	5.10	1	
3	42313-VCF-0000	Rr. Brake Panel Side Collar	7.30	1	
5	43100-X01-0300-IC	Rr. Brake Panel	58.30	1	
6	43141-M36-0004	Brake Cam	6.60	1	
7	43410-M3B-0001	Rr. Brake Arm	8.50	1	
8	4512B-X01-0000	Brake Shoe Comp.	14.40	2	
9	45133-M9Q-800	Brake Shoe Spring	2.10	2	
10	45134-M9Q-0000	Brake Cam Dust Seal	2.50	1	
11	90127-M8Q-0000	Rr. Brake Torque Bolt	0.70	1	
12	94001-06000-0S	Hex Nut 6 mm	1.20	1	
13	94050-06000	Flange Nut 6 mm	0.80	1	
14	94050-08000	Flange Nut 8 mm	1.30	1	
15	94101-06000	Plain Washer 6 mm	0.50	1	
16	94101-08000	Plain Washer 8 mm	0.50	1	
17	94111-06000	Spring Washer 6 mm	1.50	1	
18	94111-10000-00	Spring Washer 10 mm	0.80	1	

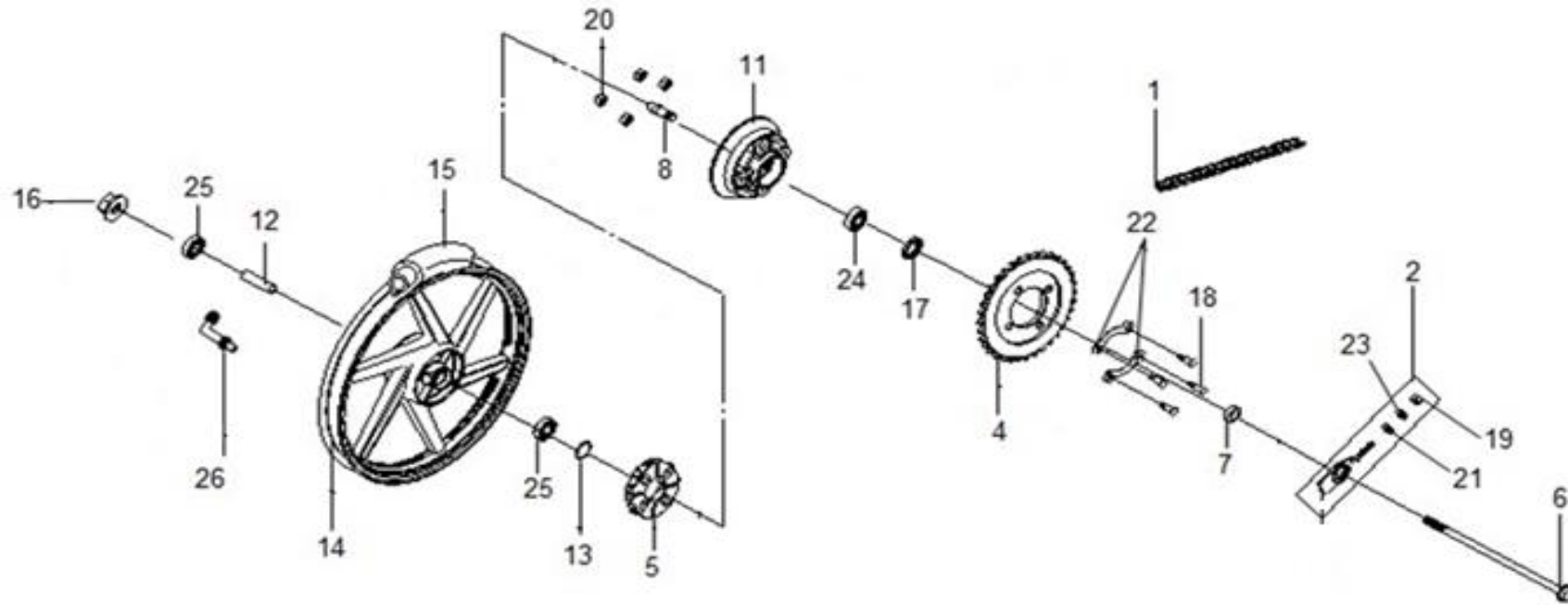


# F08 REAR BRAKE PANEL



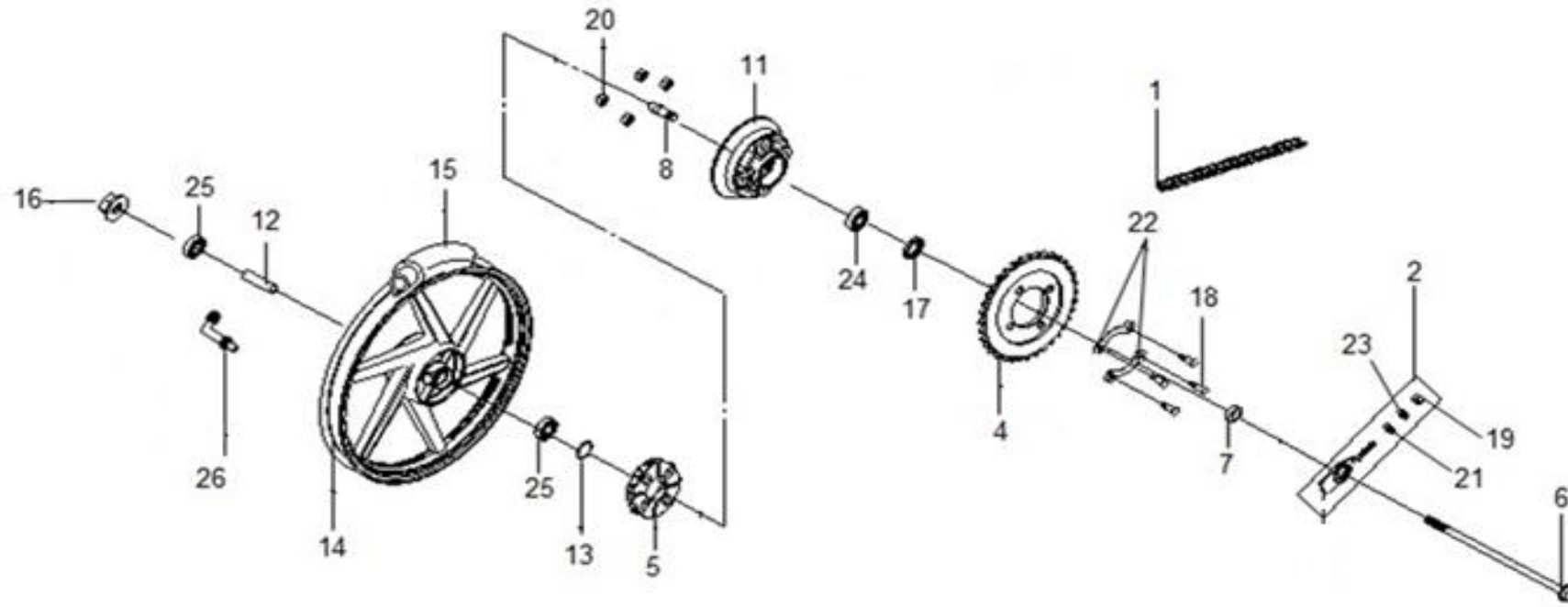
No.	Part No.	Description	Unit Price (RM/PCS)	Unit	Remark	
19	94251-08400	Lock Pin 8 mm	0.80	1		
20	95701-06032-00	Flange Bolt 6x32 mm	0.70	1		

## F09 REAR WHEEL



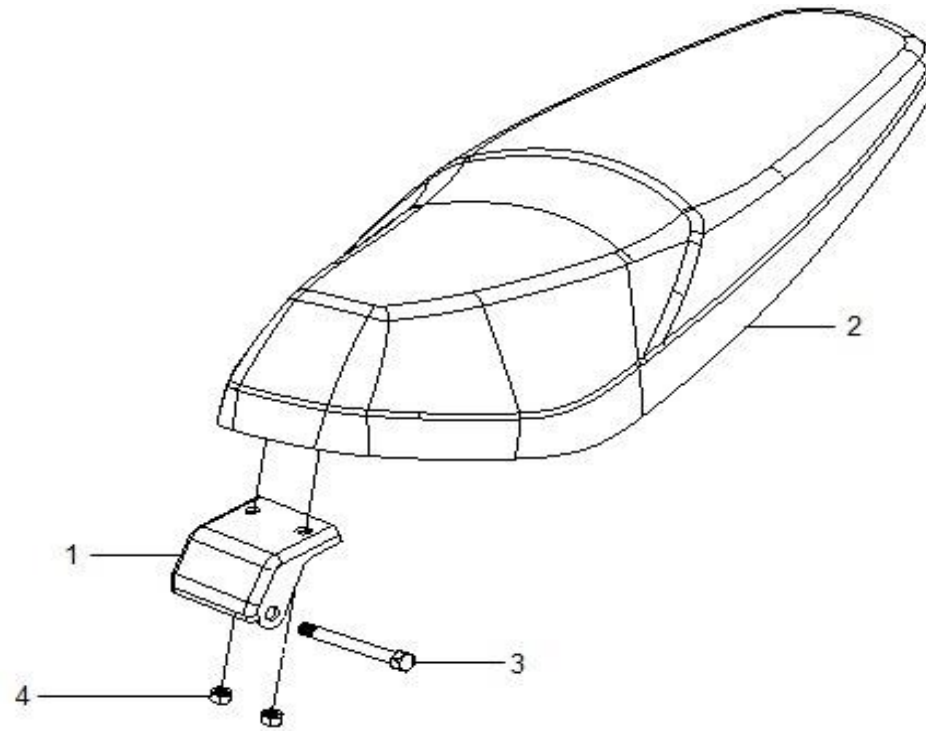
No.	Part No.	Description	Unit Price (RM/PCS)	Unit	Remark
1	1CK 428H X 104L	Drive Chain (104L)	53.20	1	
2	4054A-VAD-0000	R. Drive Chain Adjuster Ass'y	5.10	1	
4	29501-SB1-0000	Final Driven Sprocket (36T)	31.50	1	
5	41241-VDA-0001-M	Rr. Wheel Damper	3.10	4	
6	42301-VCA-0000	Rr. Wheel Axle	12.10	1	
7	42304-VCA-0000	Final Driven Side Collar	7.00	1	
8	42303-VCA-0002	Final Driven Inner Collar	8.70	1	
11	42610-VB4-0000	Final Driven Flange	30.30	1	
12	42620-X01-0000	Rr. Axle Distance Collar	4.10	1	
13	42653-M8Q-0000	O-Ring 40.5x3	0.50	1	
14	42701-VBA-0002-VN	Rr. Wheel Cast	406.50	1	
15	42710-VBA-0001	Rr. Tire Ass'y	142.50	1	
16	90306-SB1-0000	Rr. Axle Nut	3.50	1	
17	90753-M8Q-0000-L1	Oil Seal 27x40x6	4.00	1	
18	92101-08032-0A	Hex Bolt 8x32	0.80	4	
19	94001-06000-0S	Hex Nut 6 mm	1.20	1	

## F09 REAR WHEEL



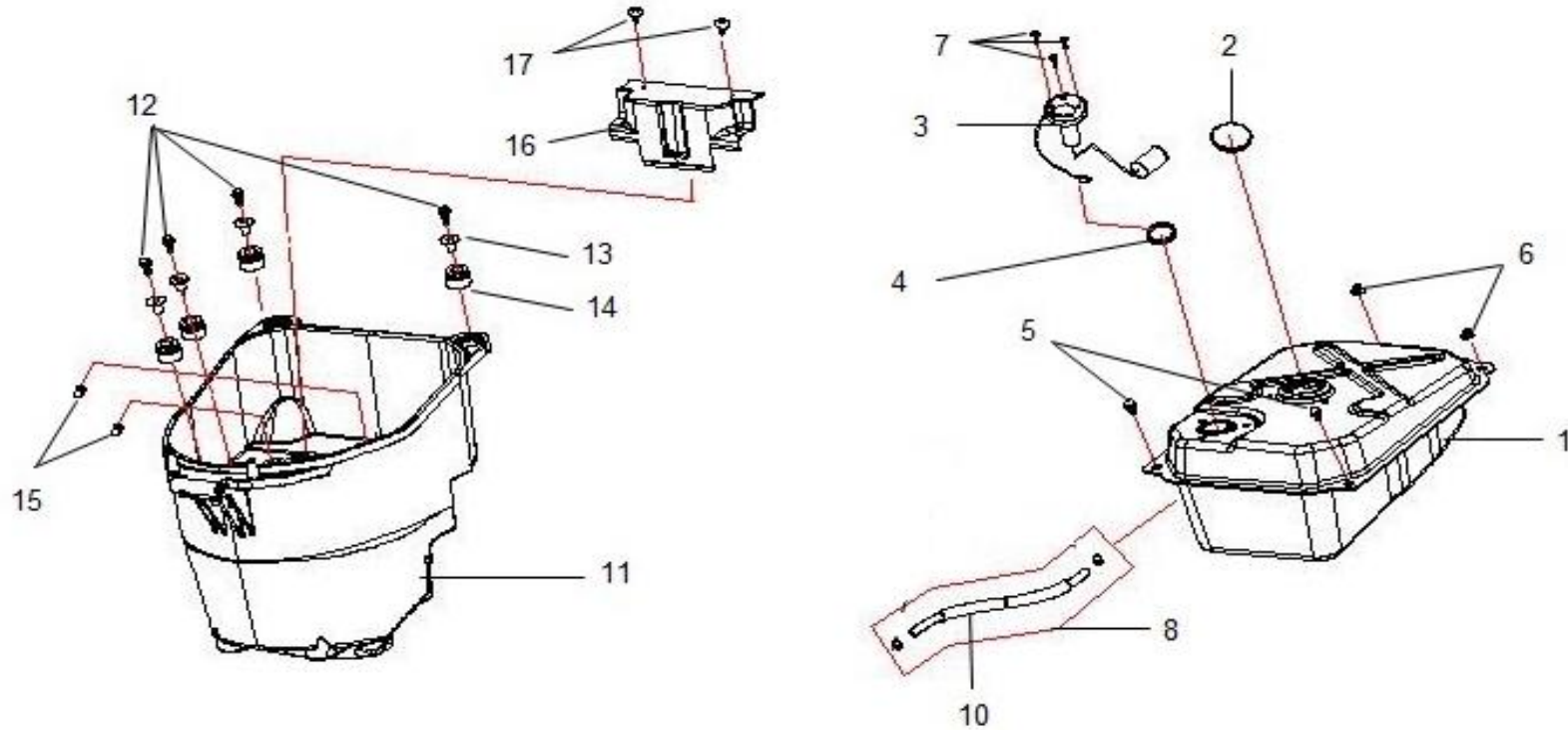
No.	Part No.	Description	Unit Price (RM/PCS)	Unit	Remark
20	94030-08000-00	Hex Nut 8 mm	1.30	4	
21	94101-06000	Plain Washer 6 mm	0.50	1	
22	94108-11000-00	Tongued Washer	0.80	2	
23	94111-06000	Spring Washer 6 mm	1.50	1	
24	96120-62030-10	Radial Ball Bearing 6203TZ/2A	17.40	1	
25	96100-63013-00	Radial Ball Bearing 6301UU	17.40	2	
26	42753-VVA-0000	Rim Valve	15.20	1	

# F10 DOUBLE SEAT



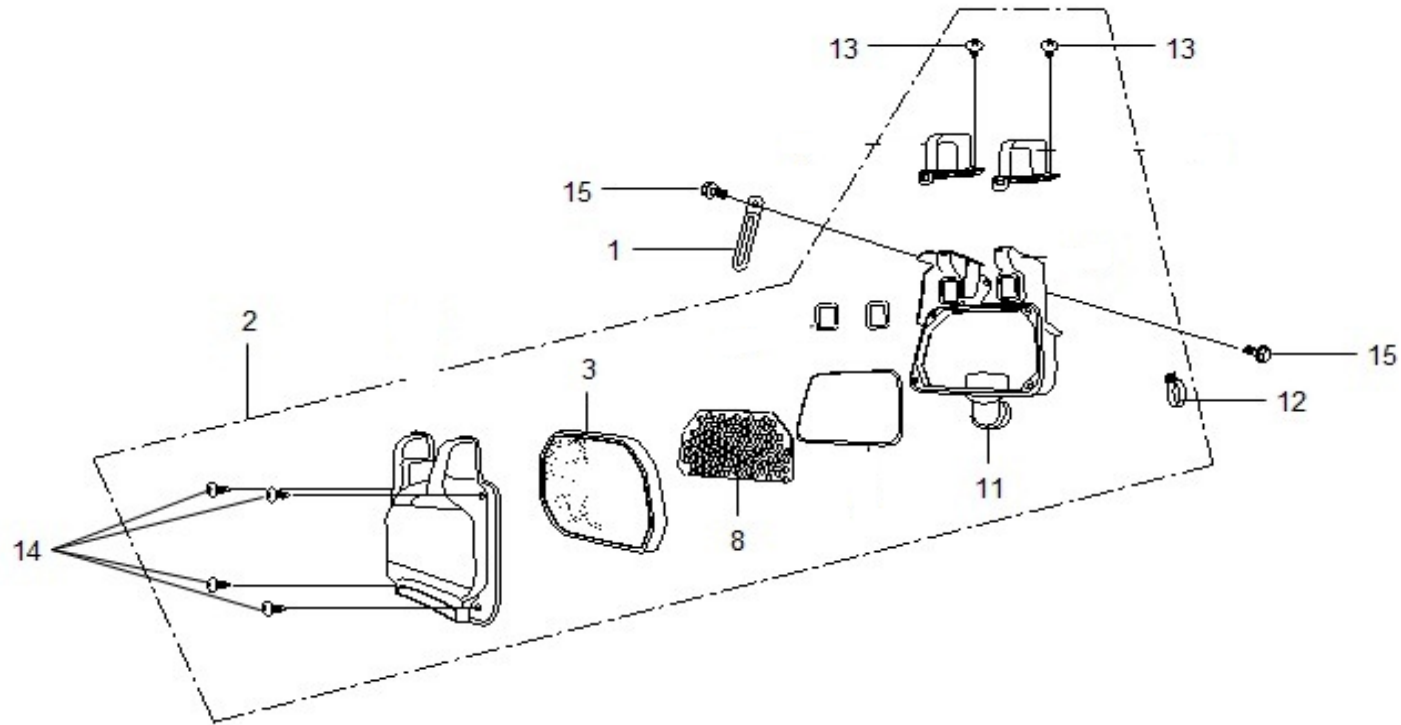
No.	Part No.	Description	Unit Price (RM/PCS)	Unit	Remark	
1	77112-VB4-0000	Seat Hinge Comp	4.20	1		
2	77200-VBC-0000	Double Seat Comp. (White Line)	-	X	stop supply	VBA
2	77200-VBC-0005	Double Seat Comp. (Red Line)	168.30	1		VBA MMC
3	90105-VB4-0000	Seat Hinge Pin	3.80	1		
4	94050-06080	Flange Nut 6 mm	1.40	2		

# F11 FUEL TANK



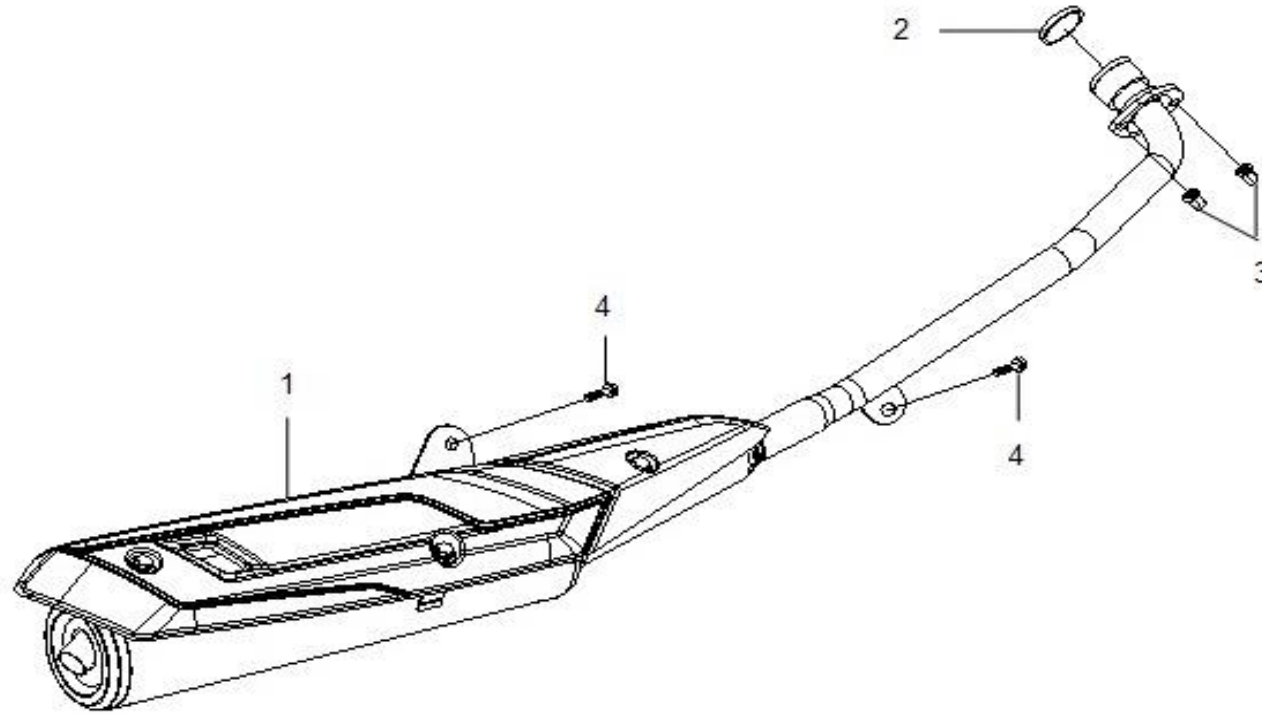
No.	Part No.	Description	Unit Price (RM/PCS)	Unit	Remark
1	17500-VB4-001	Fuel Tank Comp.	118.20	1	
2	17620-VA3-0000	Fuel Filler Cap Comp.	19.60	1	
3	37800-VB4-0003-M	Fuel Unit Ass'y	24.00	1	
4	37801-X01-0001	Base Packing	4.60	1	
5	95801-06012-08	Flange Bolt 6x22	1.20	2	
6	94050-06080	Flange Nut 6 mm	1.40	2	
7	93892-05012-08	Washer Screw 5x12	2.60	3	
8	17508-VB4-0003	Fuel Tank Tube Ass'y	14.40	1	
10	95003-36070-20	V Tube 11x700	0.60	1	
11	81250-VB4-010	Luggage Box	35.50	1	
12	96001-06032-00	SH. Flange Bolt 6X32	1.20	4	
13	81252-VB4-0000	Luggage Box Collar A	2.30	4	
14	81253-VB4-0000	Luggage Box Rubber A	2.30	4	
15	90302-SA4-003B	Spring Nut 4 mm	0.80	2	
16	50326-VB4-0001	Battery Cover	6.60	1	

# F12 AIR CLEANER



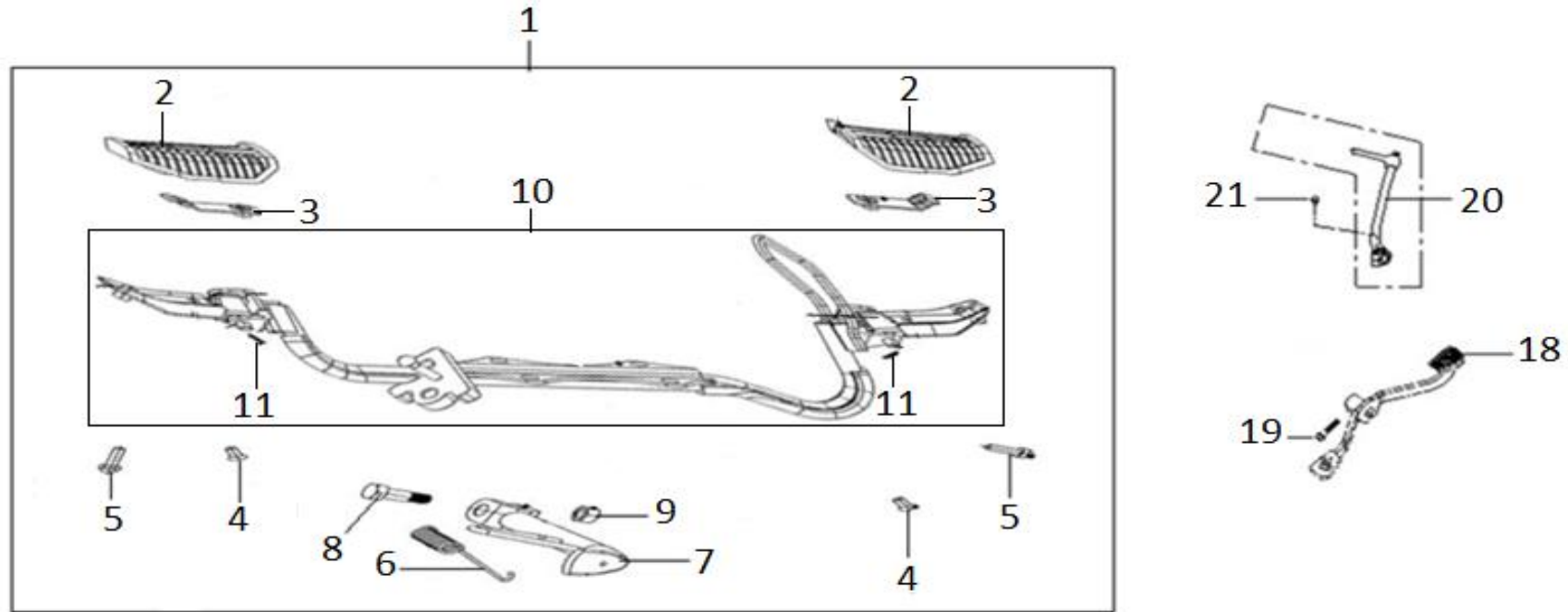
No.	Part No.	Description	Unit Price (RM/PCS)	Unit	Remark
1	12342-X01-0000	Clamp	1.30	1	
2	17200-VA2-0001	Air Cleaner Ass'y	54.00	1	
3	17211-VA2-0000	Air Cleaner Element	10.90	1	
8	17221-VA2-0000	Trap Comp.	-	X	stop supply
11	17253-VA2-0000	Air Cleaner Connecting Tube	4.30	1	
12	17255-VA2-0000	Air Cleaner Connecting Tube Band B	1.90	1	
13	93901-24310	Tapping Screw 4x12	0.60	2	
14	93903-25410	Tapping Screw 5x20	0.60	4	
15	95801-06012-08	Flange Bolt 6x12	1.20	2	

# F13 EXHAUST MUFFLER



No.	Part No.	Description	Unit Price (RM/PCS)	Unit	Remark
1	18000-VBA-0005	Muffler Ass'y	344.00	1	
2	18291-X01-0000	Exhaust Pipe Gasket	1.70	1	
3	90308-M36-0000	Cap Nut 6mm	1.90	2	
4	95801-08018-00	Flange Bolt 8x18	0.60	2	
	18318-VBA-0000	Muffler Protector	27.40	1	
	18319-VBA-0000	Garnish Proctector ( Silver )	51.80	1	

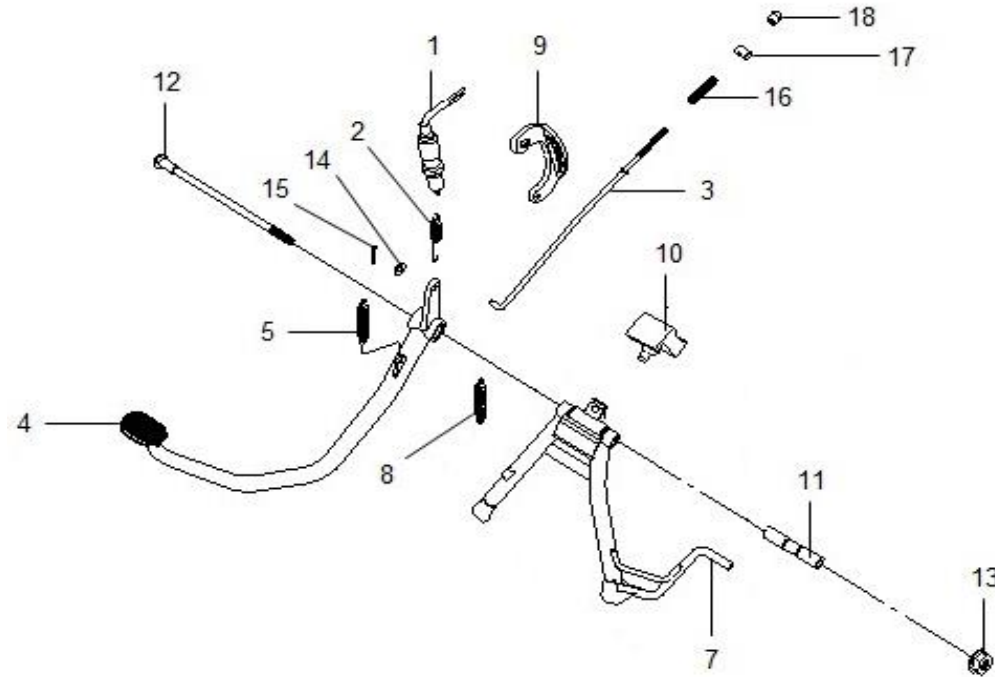
## F14 STEP BAR-KICK STARTER ARM



No.	Part No.	Description	Unit Price (RM/PCS)	Unit	Remark
1	5061E-VBA-0000	Step Bar Set	90.30	1	
2	50661-VBA-0000	Step Rubber	6.60	2	
3	50819-VBA-0000	Step Rubber Stopper Stay	3.10	2	
4	93500-06010-OA	Pan Screw 6*10	1.30	2	
5	92501-06020-0B	Hex Cap Bolt 6*20	1.70	2	
6	95014-72102	Side Stand Spring	9.10	1	
7	50530-VA2-0002	Side Stand Bar Comp	19.50	1	
8	90108-B06-0001	Side Stand Pivot Screw	2.30	1	
9	94002-10070-OS	Hex Nut 10mm	0.80	1	
10	5061A-VBA-8001	Step Bar Ass'y	69.10	1	
11	94201-16150	Split Pin 1.6*15	0.70	2	
18	24701-SA5-0001	Gear Change Pedal	28.10	1	
19	92101-06020-0A	Hex Bolt 6x20	0.50	1	
20	28300-VBA-0002	Kick Starter Arm	64.80	1	
21	92101-06028-0H	Hex Bolt 6x28	0.60	1	

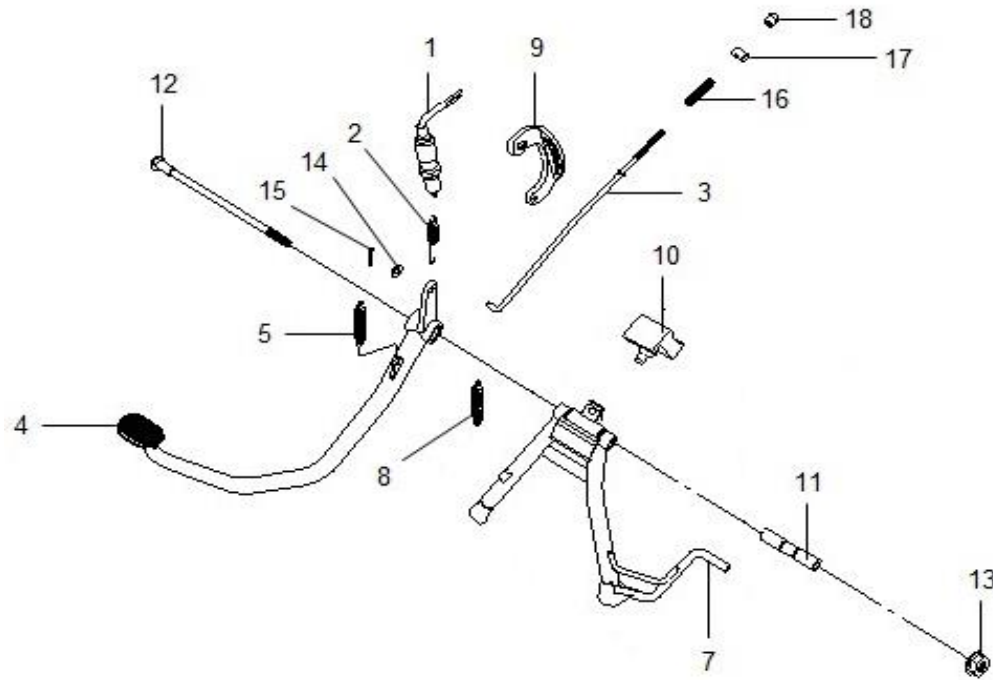


# F15 MAIN STAND-BRAKE PEDAL



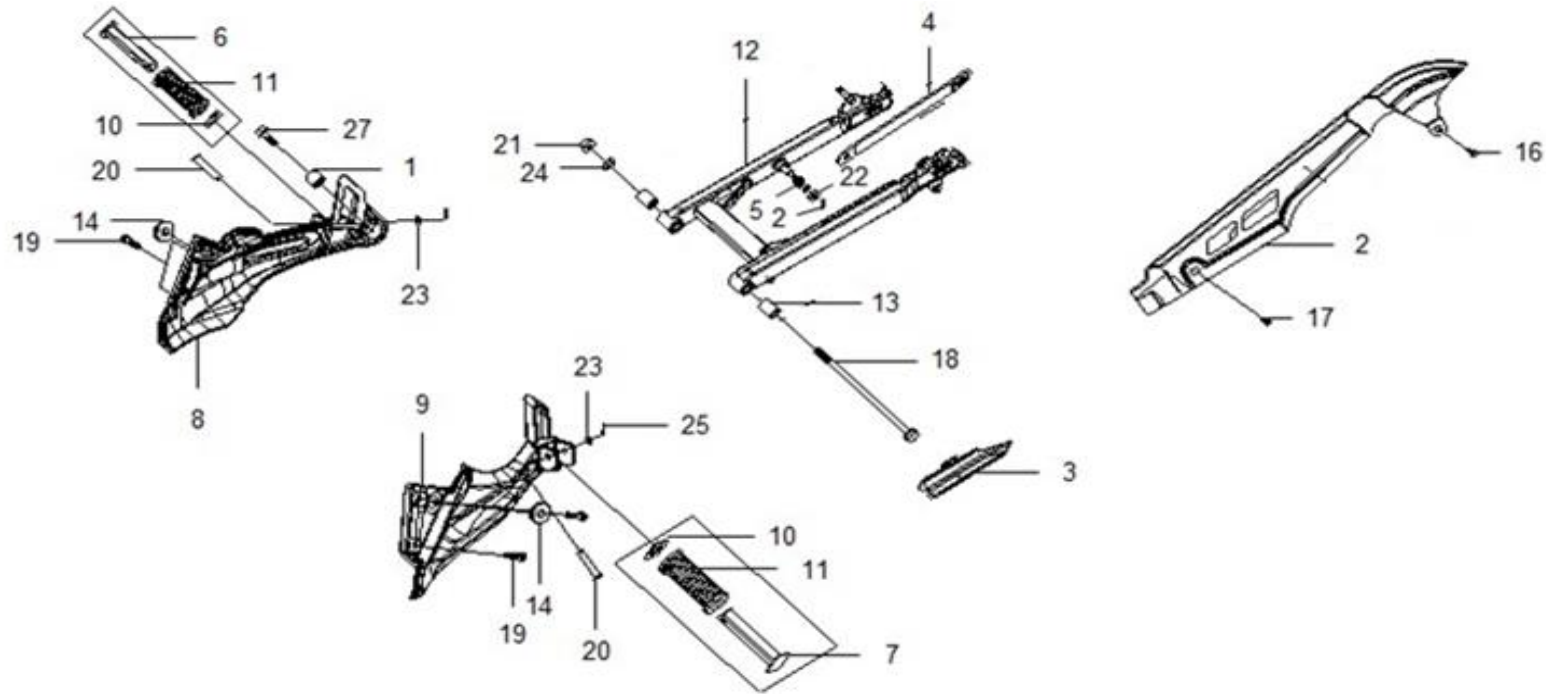
No.	Part No.	Description	Unit Price (RM/PCS)	Unit	Remark
1	35350-VA3-0000	Rr. Stop Switch Ass'y	8.70	1	
2	35357-X01-0000	Stop Switch Spring	1.10	1	
3	43451-VD3-0000	Rr. Brake Rod	6.40	1	
4	46500-VDA-0000	Rr. Brake Pedal Comp.(Silver)	36.70	1	VBA
4	46500-VBA-0000	Rr. Brake Pedal Comp.(Black)	38.90	1	VBA MMC
5	46514-X04-0000	Brake Pedal Spring	2.70	1	
7	50500-VA2-0000	Main Stand Comp.	60.50	1	
8	50522-X04-0000	Main Stand Spring	3.50	1	
9	50523-M36-0002	Main Stand Spring Hook	2.50	1	
10	50524-M8Q-0000	Stand Stopper Rubber	2.30	1	
11	50525-VBC-0000	Main Stand Distance Collar	5.10	1	
12	50526-M36-0004	Main Stand Pivot Bolt	13.00	1	
13	90307-X01-0000	Lock Nut 12 mm	3.70	1	
14	94101-06000	Plain Washer 6 mm	0.50	1	
15	94201-16200	Split Pin 1.6x20	0.45	1	
16	95014-73100-00	Brake Rod Spring A	0.70	1	

# F15 MAIN STAND-BRAKE PEDAL



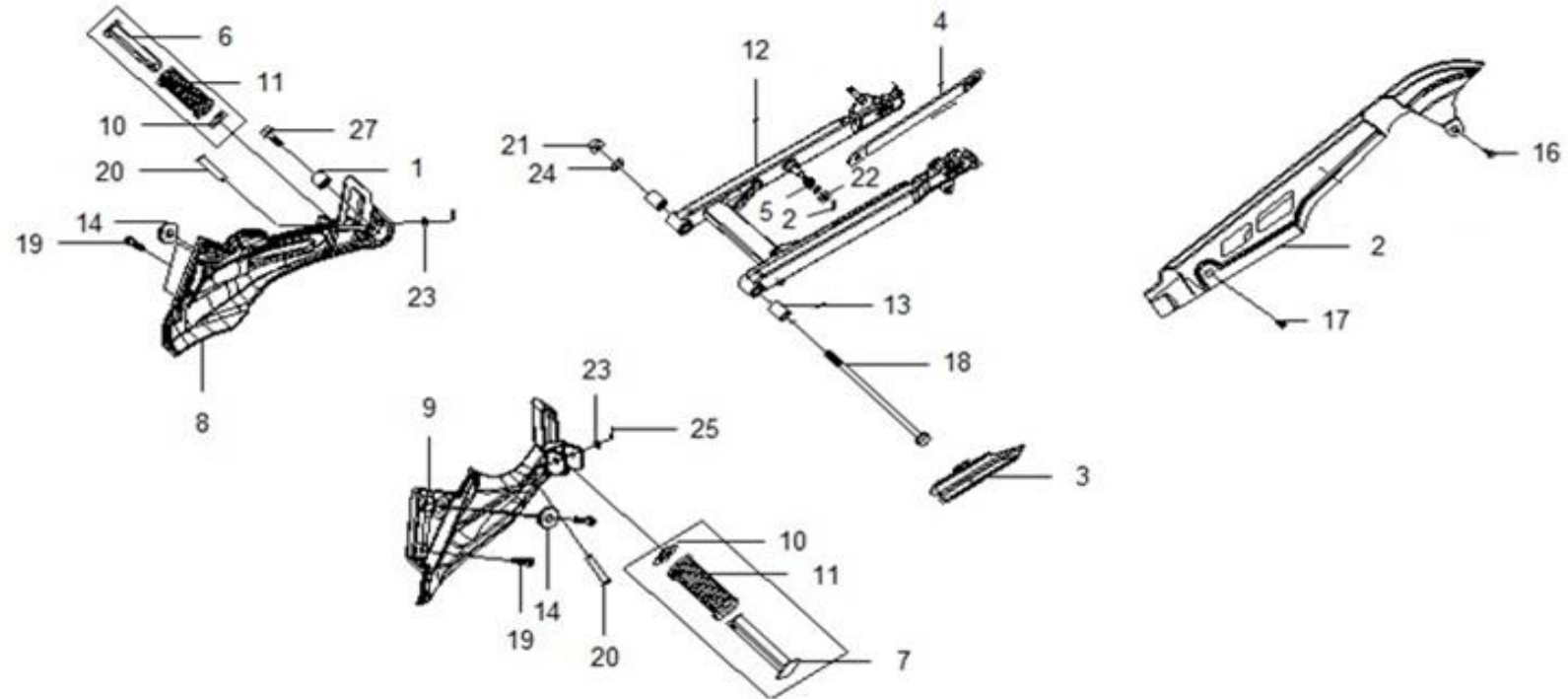
No.	Part No.	Description	Unit Price (RM/PCS)	Unit	Remark	
17	95015-32001	Brake Arm Joint B	1.10	1		
18	95015-42000-00	Adjust Nut B	2.20	1		

## F16 REAR FORK-CHAIN CASE



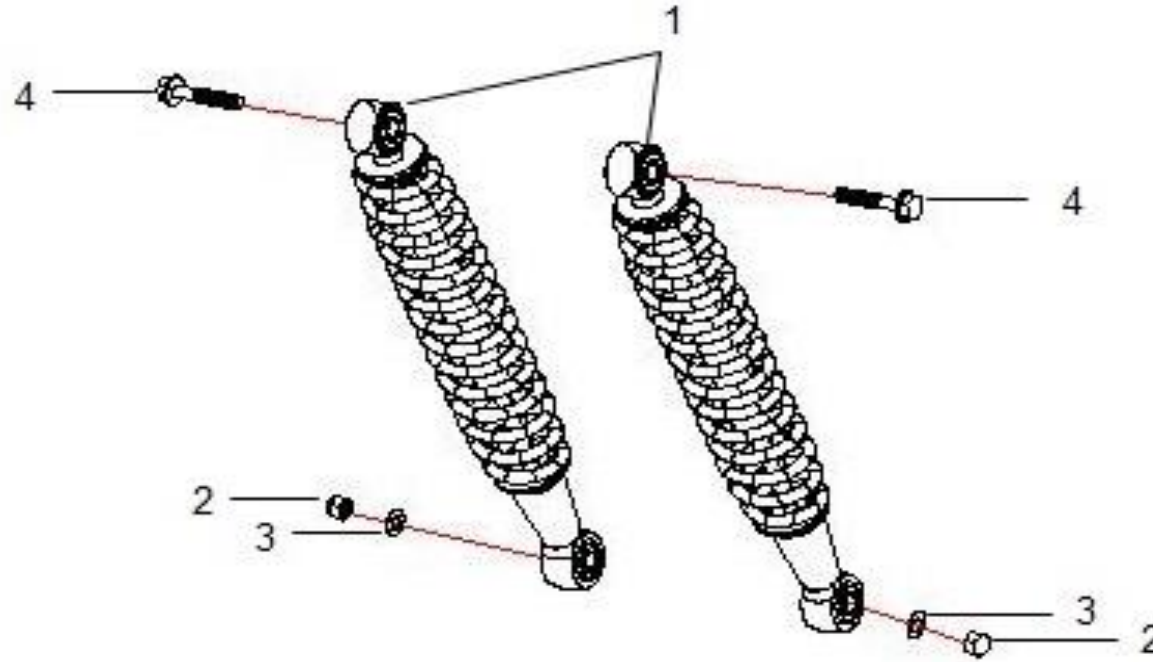
No.	Part No.	Description	Unit Price (RM/PCS)	Unit	Remark
1	18422-LYD-300	Muffler Mount. Rub. Bush	7.20	1	
2	AC-CHAIN CASE	Drive Chain Guard	22.60	1	
3	40591-VD3-0001	Drive Chain Case Packing	3.50	1	
4	43431-VD3-0001	Rr Brake Stopper Arm	6.60	1	
5	43434-X04-0000	Rr. Brk. Torque Link Spg.	0.60	1	
6	50612-VB4-0001	R. Pillion Step Bar	5.20	1	
7	50613-VB4-0001	L. Pillion Step Bar	5.20	1	
8	50650-VB4-9000-T1	R. Step Holder	86.30	1	
9	50750-VB4-0009-IC	L. Step Holder	86.30	1	
10	50815-VB4-0000	Pillion Step Washer	0.50	2	
11	50861-VB4-0000	Pillion Step Rubber	5.20	2	
12	52100-VB4-010-IC	Rear Fork Comp.	168.30	1	
13	52181-A08-3000	Rr. Fork Pivot Rubber Bush	5.90	2	
14	83551-B04-0000	Air/C Case Grommet	0.50	2	
16	90111-M9Q-8000-L1	Flange Bolt 6mm	0.80	1	
17	90111-M9Q-8000-L1	Flange Bolt 6mm	0.80	1	

## F16 REAR FORK-CHAIN CASE



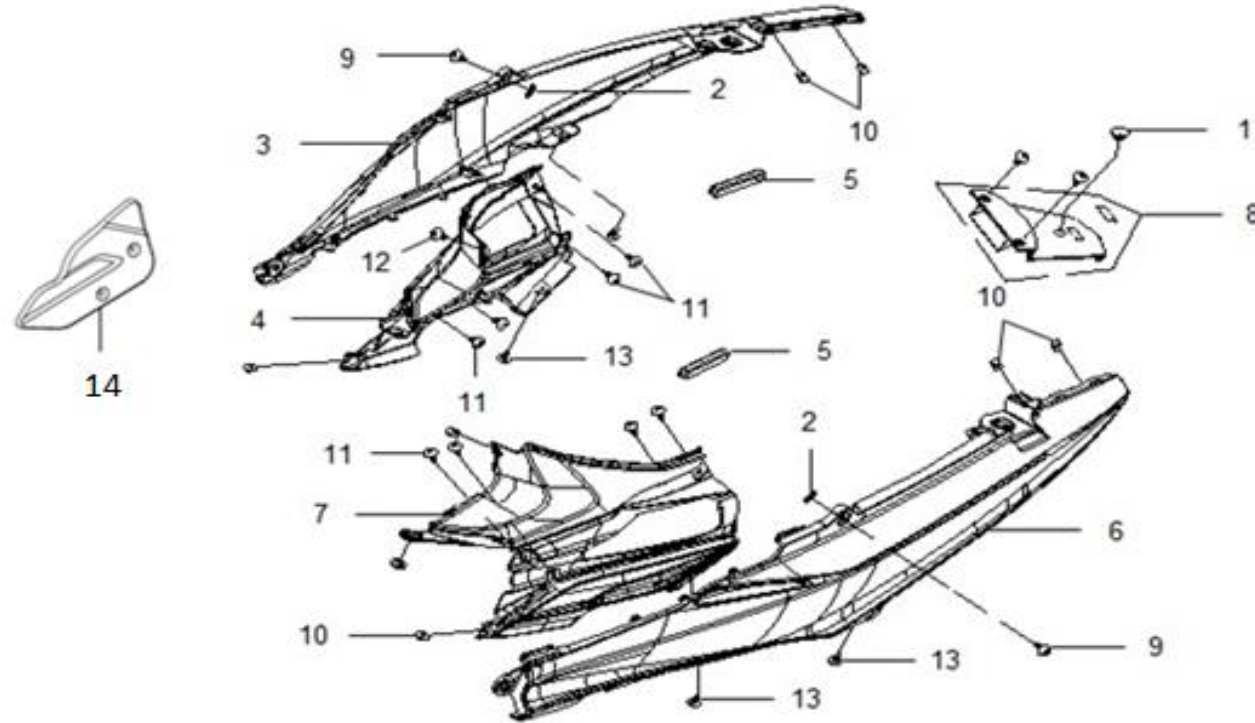
No.	Part No.	Description	Unit Price (RM/PCS)	Unit	Remark
18	90121-VB4-0001	Rr. Fork Pivot Bolt	8.00	1	
19	90185-VB4-0000	Socket Bolt 8*23	1.40	2	
20	90187-VB4-0001	Pillion Step Pin	1.10	2	
21	94021-10000	Hex Cap Nut 10mm	2.10	1	
22	94030-08000-00	Hex Nut 8mm	1.30	1	
23	94101-06000	Plain Washer 6mm	0.50	2	
24	94102-10700	Plain Washer 10mm	1.20	1	
25	94201-16150	Split Pin 1.6*15	0.70	2	
26	94201-20151	Split Pin 2.0X15	0.70	1	
27	95801-08032-00	Flange Bolt 8*32	0.60	2	

# F17 REAR CUSHION



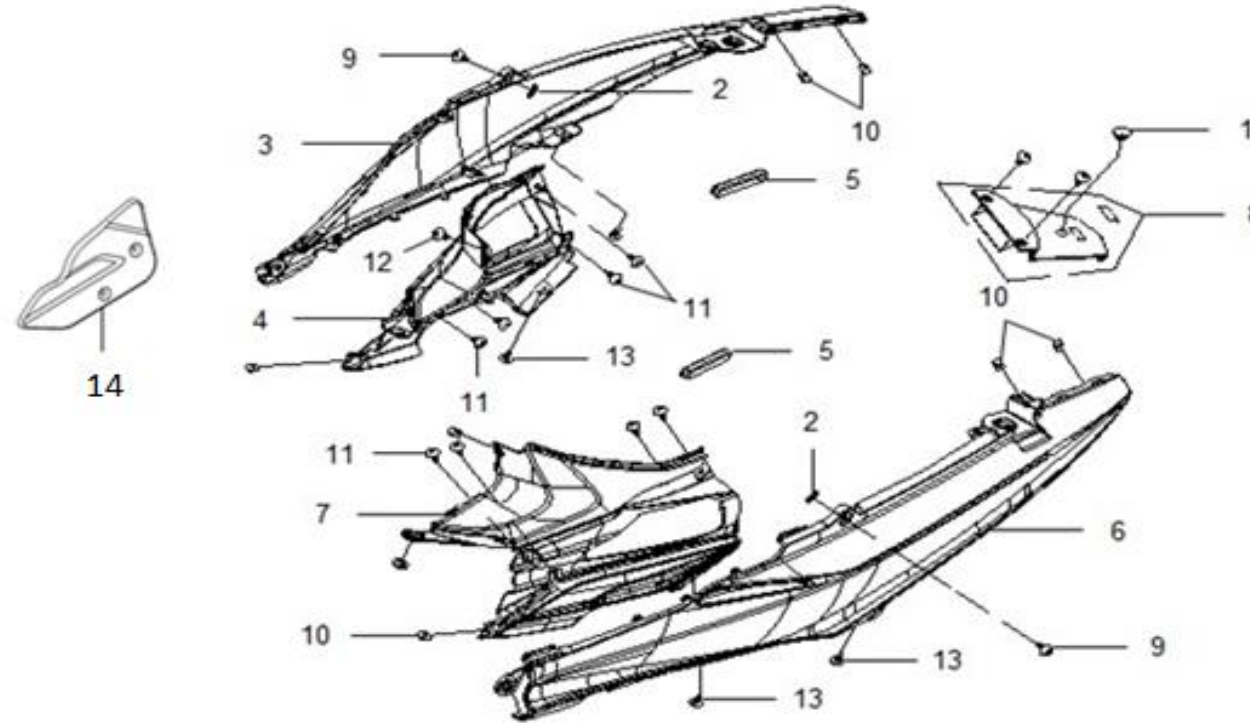
No.	Part No.	Description	Unit Price (RM/PCS)	Unit	Remark
1	52400-VB4-0003-T1	Rear Cushion Ass'y	94.90	2	
2	94021-10000	Hex Cap Nut 10 mm	2.10	2	
3	94103-10000	Plain Washer 10 mm	1.20	2	
4	95801-10040-08	Flange Bolt 10x40	3.50	2	

# F18 BODY COVER



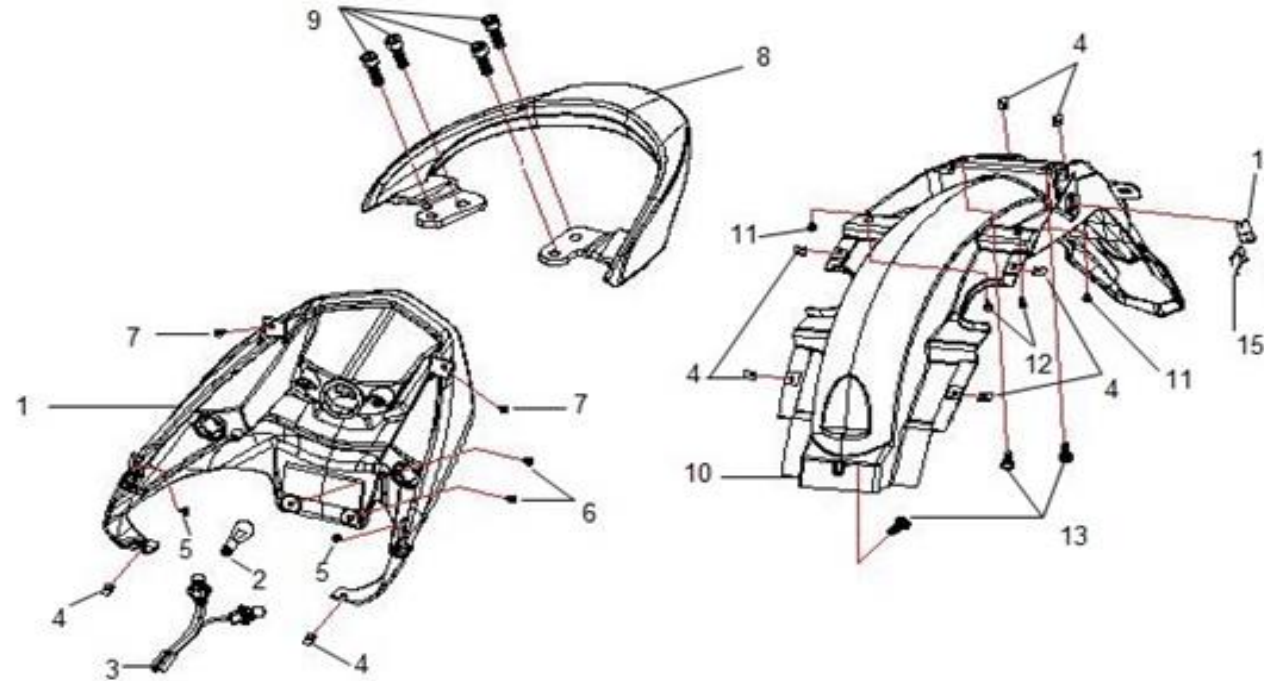
No.	Part No.	Description	Unit Price (RM/PCS)	Unit	Remark
1	70529-M9Q-0000	Side Panel Grommet B	1.10	1	
2	77226-M3F-0000	Damping Rubber	2.30	4	
3	83500-VB4-0005-WB	Rh. Body Cover (WH-058P) - White	68.00	1	VBA
3	83500-VB4-0005-DJ	Rh. Body Cover (BU-202S) - Blue	68.00	1	VBA
3	83500-VB4-0005-KB	Rh. Body Cover (BK-500C) - Black	68.00	1	VBA, VBA MMC
3	83500-VB4-0005-RB	Rh. Body Cover (R010CA) - Red	68.00	1	VBA
4	83520-VB4-0003	R. Side Cover	25.70	1	
5	83521-VB4-0001	Side Cover Rubber Seal	0.60	2	
6	83600-VB4-0005-WB	Lh. Body Cover (WH-058P) - White	68.00	1	VBA
6	83600-VB4-0005-DJ	Lh. Body Cover (BU-202S) - Blue	68.00	1	VBA
6	83600-VB4-0005-KB	Lh. Body Cover (BK-500C) - Black	68.00	1	VBA, VBA MMC
6	83600-VB4-0005-RB	Lh. Body Cover (R010CA) - Red	68.00	1	VBA
7	83620-VB4-0003	L. Side Cover	25.70	1	

# F18 BODY COVER



No.	Part No.	Description	Unit Price (RM/PCS)	Unit	Remark
8	83750-VB4-9002-WB	Rr. Center Cover (WH-058P) - White	26.40	1	VBA
8	83750-VB4-9002-DJ	Rr. Center Cover (BU-202S) - Blue	26.40	1	VBA
8	83750-VB4-9002-KB	Rr. Center Cover (BK-500C) - Black	26.40	1	VBA, VBA MMC
8	83750-VB4-9002-RB	Rr. Center Cover (R-010CA) - Red	26.40	1	VBA
9	90110-GZ0-0001	Special Screw 6X14	1.10	2	
10	90302-SA4-003B	Spring Nut 4mm	0.80	6	
11	93903-34320	Tapping Screw 4X12	0.90	8	
12	93903-44380	Tapping Screw 4*12	2.10	2	
13	93903-44480	Tapping Screw 4X16	0.70	4	
14	AC-COVER PLATE	Cover Plate - Sport Bonus	17.70	1	

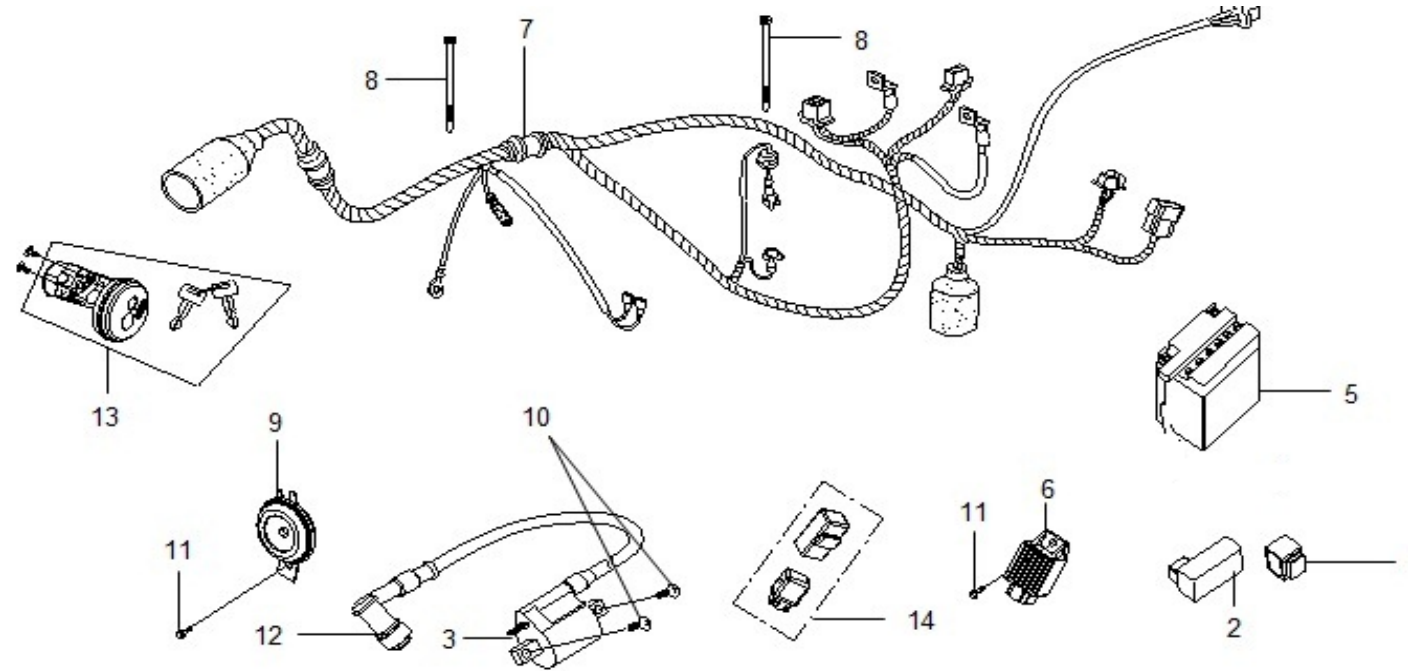
## F19 REAR FENDER-TAIL LIGHT



No.	Part No.	Description	Unit Price (RM/PCS)	Unit	Remark
1	33700-VB4-0001	Tail Light Ass'y	64.80	1	
2	34906-M9Q-0000	Tail Light Bulb (12V 18/5W)	13.80	1	
3	34905-M9Q-0000	Winker Bulb (12V 10W)	4.40	2	
4	90302-SA4-003B	Spring Nut 4 mm	0.80	8	
5	93903-34320	Tapping Screw 4x12	0.90	3	
6	93903-44480	Tapping Screw 4x16	0.70	2	
7	93903-44380	Tapping Screw 4x12	2.10	2	
8	81200-VB4-0002	Rear Grip Comp.	77.70	1	
9	95701-06018-07	Flange Bolt 6x18	0.50	4	
10	80100-VB4-0007	Rear Fender	60.80	1	
11	93903-44320-00	Tapping Screw 4x16	0.70	2	
12	93404-06012-07	Washer Bolt 6x12	2.10	2	
13	90111-VA2-0000	Flange Bolt 6 mm	0.70	3	
14	77232-VB4-0002	Seat Lock Stay	2.40	1	
15	75581-M9Q-0001	Lock Key Set SPG.	3.40	1	

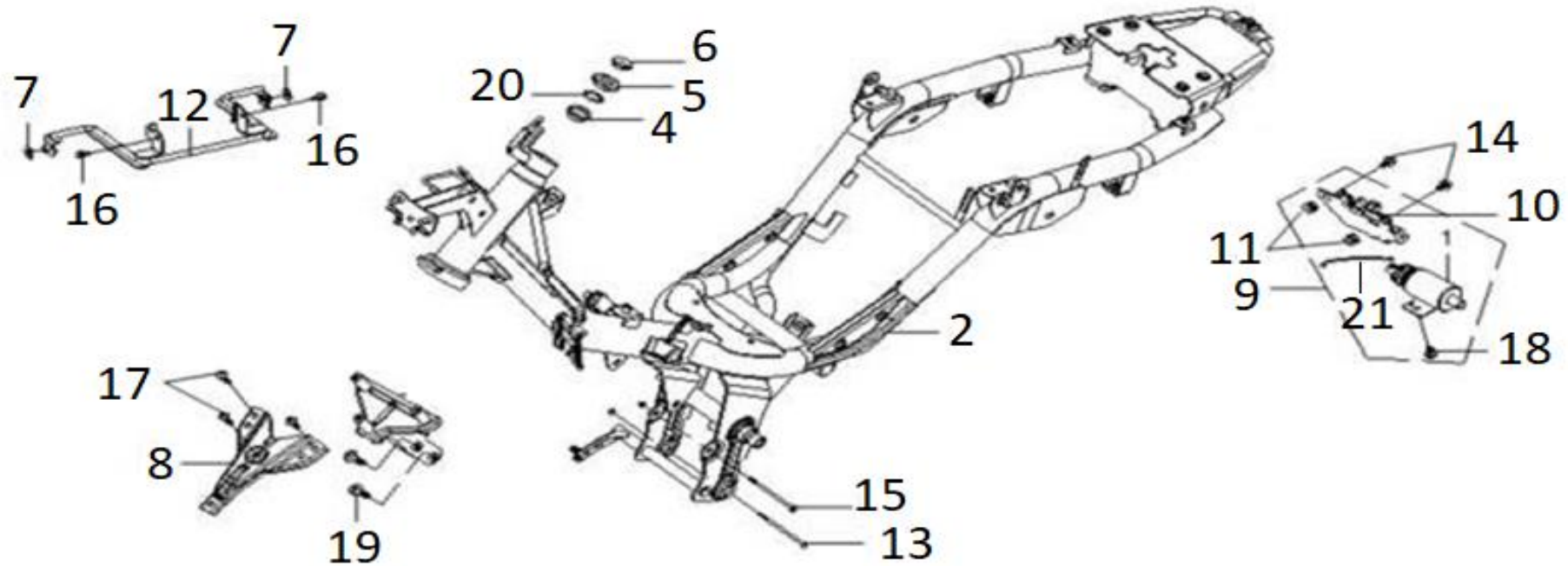


## F20 WIRE HARNESS - BATTERY



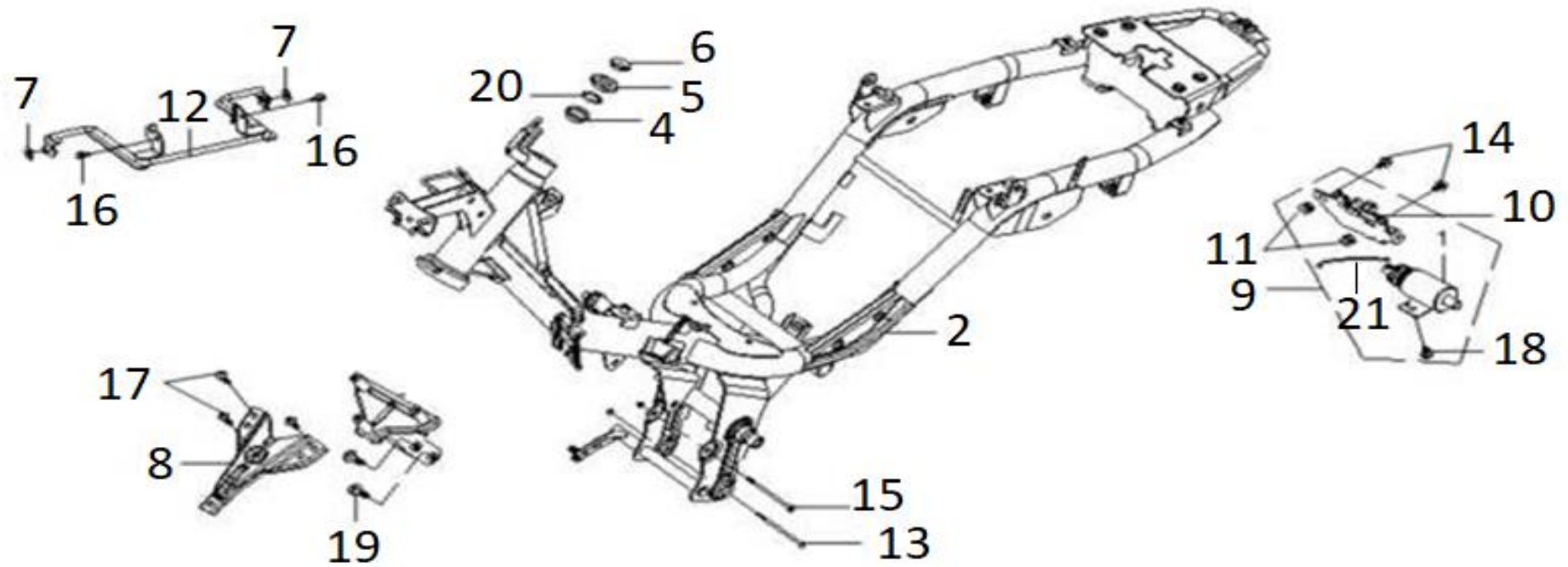
No.	Part No.	Description	Unit Price (RM/PCS)	Unit	Remark
1	30400-SA5-0000	C.D.I Unit	51.80	1	
2	30410-SA5-000	C.D.I Unit Comp.	-	x	Please Order 30400-SA5-0000 (item F20-1)
3	30500-SA5-0000	Ignition Coil Ass'y	43.20	1	
5	AC-YB5L-BS ( HW )	Battery Set	73.00	1	
6	31600-A39-0000	Regulator Rectifier Comp.	38.00	1	
7	32100-VBA-9000	Wire Harness	108.00	1	
8	32161-T15-000	Wire Band 250	5.90	2	
9	38110-VBA-0001	Horn Comp.	15.50	1	
10	93500-05016-0H	Pan Screw 5x16	0.70	2	
11	95801-06012-08	Flange Bolt 6x12	1.20	2	
12	30700-M8Q-0000	Noise Suppressor Cap Ass'Y	10.90	1	
13	35010-VBA-0003	Key Set	112.30	1	
14	34600-SA1-0000	Start Relay Ass'y	21.70	1	

## F21 FRAME BODY



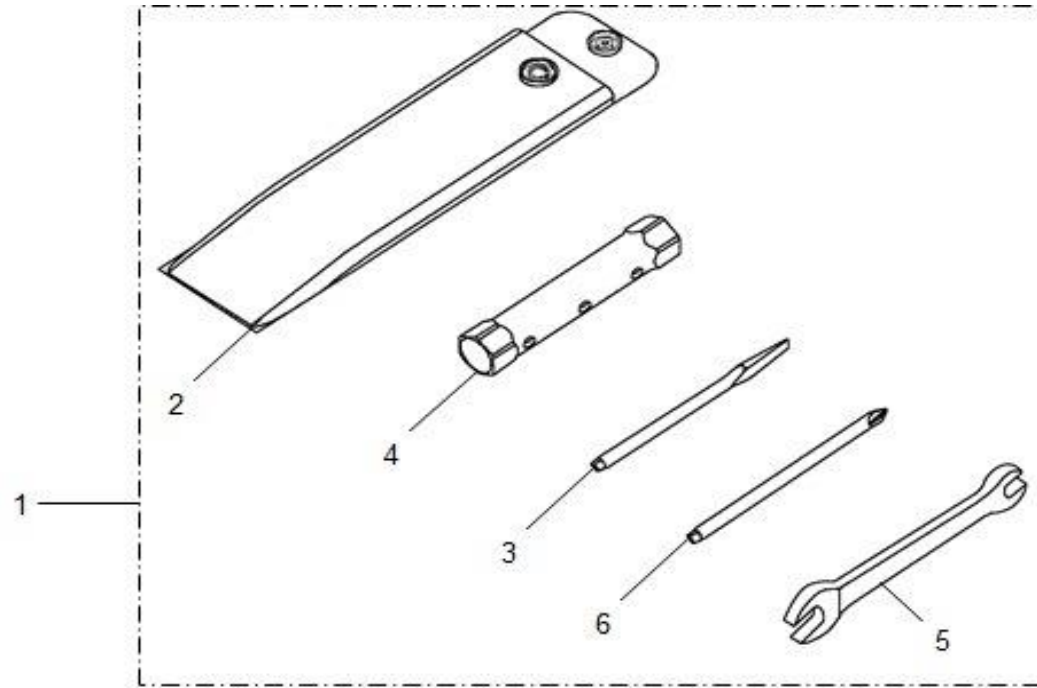
No.	Part No.	Description	Unit Price (RM/PCS)	Unit	Remark
1	35870-VCA-0000	Dc Solenoid Ass'y	65.50	1	
2	50100-VBA-0002-BK	Frame Body Comp.	425.30	1	
4	50301-VS1-0000-L1	Strg. Upper Ball Race	13.40	1	
5	53211-M9Q-0000	Steering Top Cone Race	13.00	1	
6	50306-M9Q-0000	String Stem Lock Nut	6.10	1	
7	53011-VS1-0000	Damping Rubber	0.70	2	
8	81101-SAX-9000	Fr. Basket Brkt	37.70	1	
9	77230-VBA-0000	Seat Catch Ass'y	68.00	1	
10	77235-VCA-0002	Seat Catch Comp.	15.20	1	
11	77236-VCA-0000	Seat Catch Rubber	0.70	2	
12	64403-VBA-0002	Fr. Under Spoiler Brkt	18.80	1	
13	90116-VD3-0000	Rr Eng Under Bolt	3.50	1	
14	93404-06012-07	Washer Bolt 6*12	2.10	2	
15	95301-08110-00	Eng. Hanger Upper Bolt 8*110	2.10	1	
16	95801-06012-00	Flange Bolt 6*12	0.40	2	
17	95801-06025-08	Flange Bolt 6*25	0.80	3	

## F21 FRAME BODY



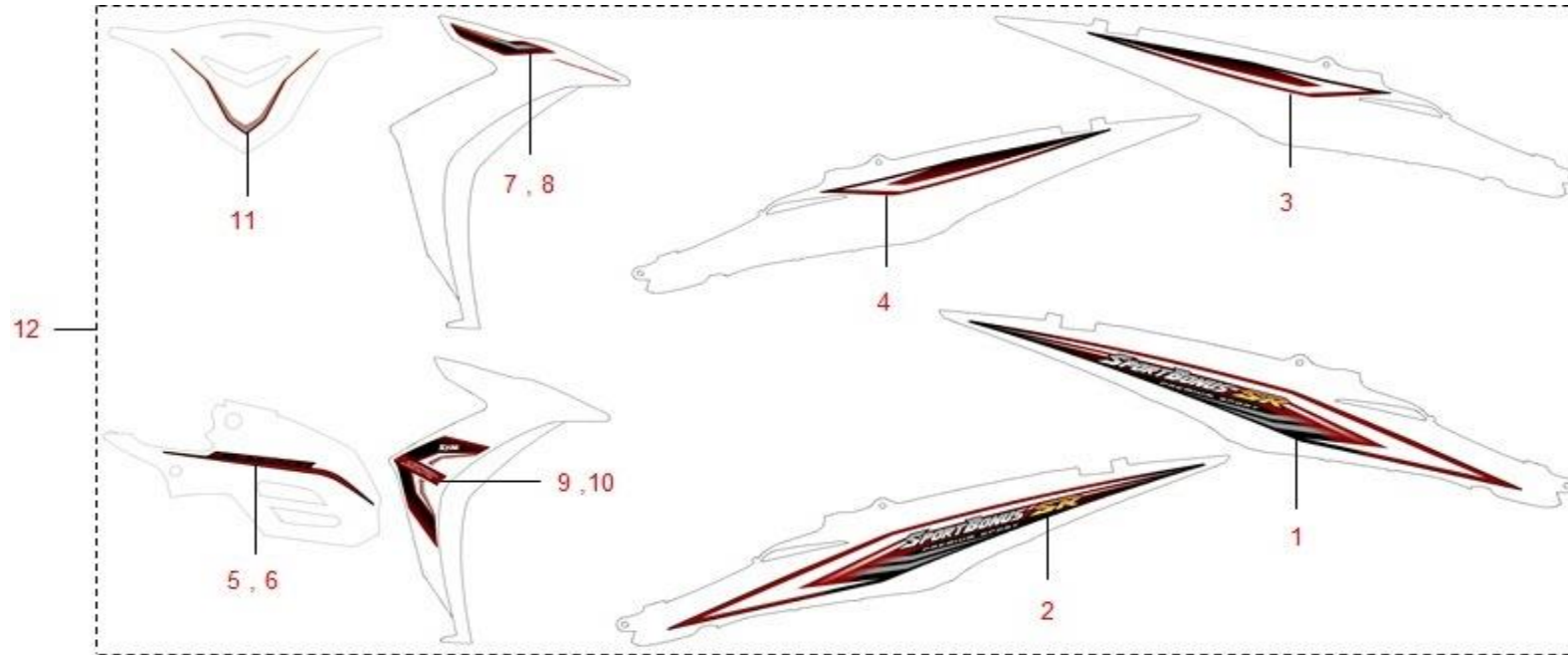
No.	Part No.	Description	Unit Price (RM/PCS)	Unit	Remark
18	95801-08012-08	Flange Bolt 8*12	2.40	1	
19	95801-08032-00	Flange Bolt 8*30	0.60	2	
20	96211-05000	Steel Ball 5	0.80	26	
21	77240-VBA-0000	Seat Lock Cable	6.60	1	

# F22 TOOL ASSY



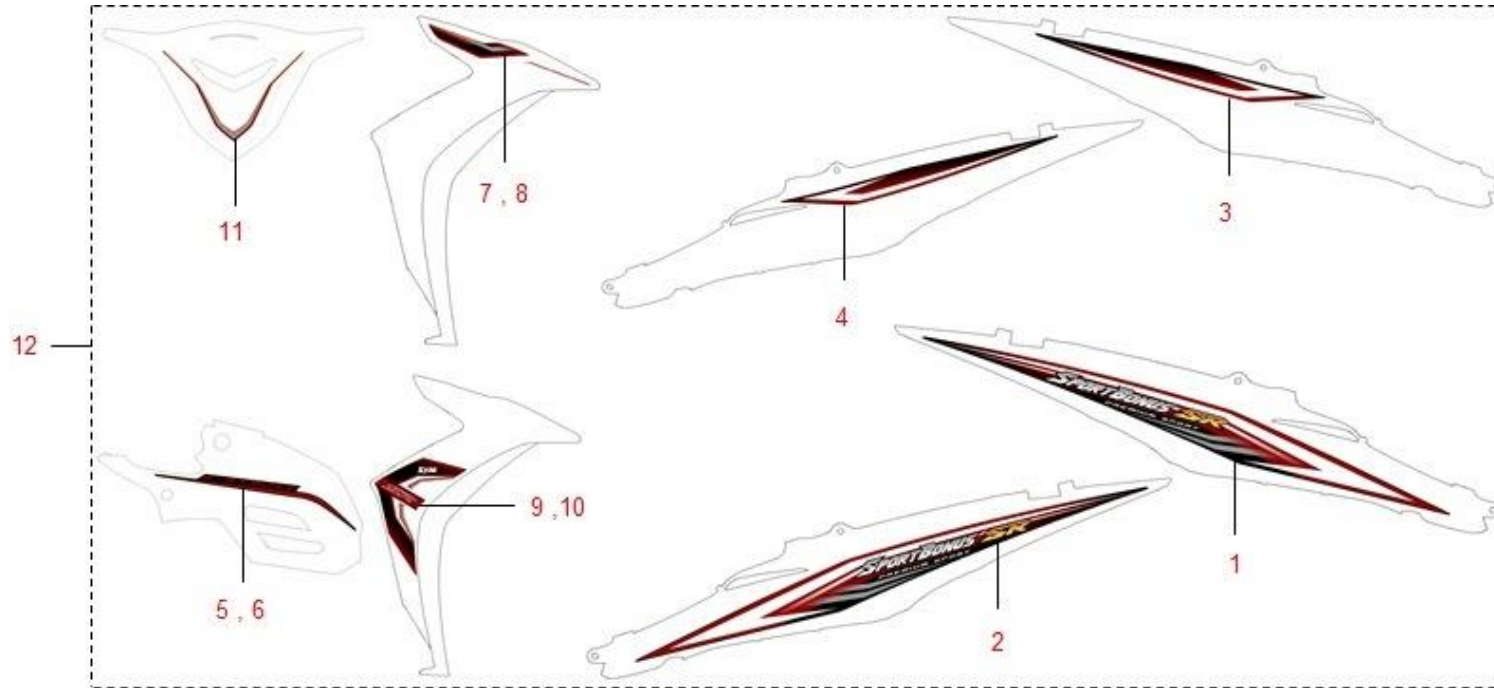
No.	Part No.	Description	Unit Price (RM/PCS)	Unit	Remark	
1	89010-M51-0000-OA	Tool Ass'y	11.80	1		

## F23 STRIPE (VBA) -BLACK/RED



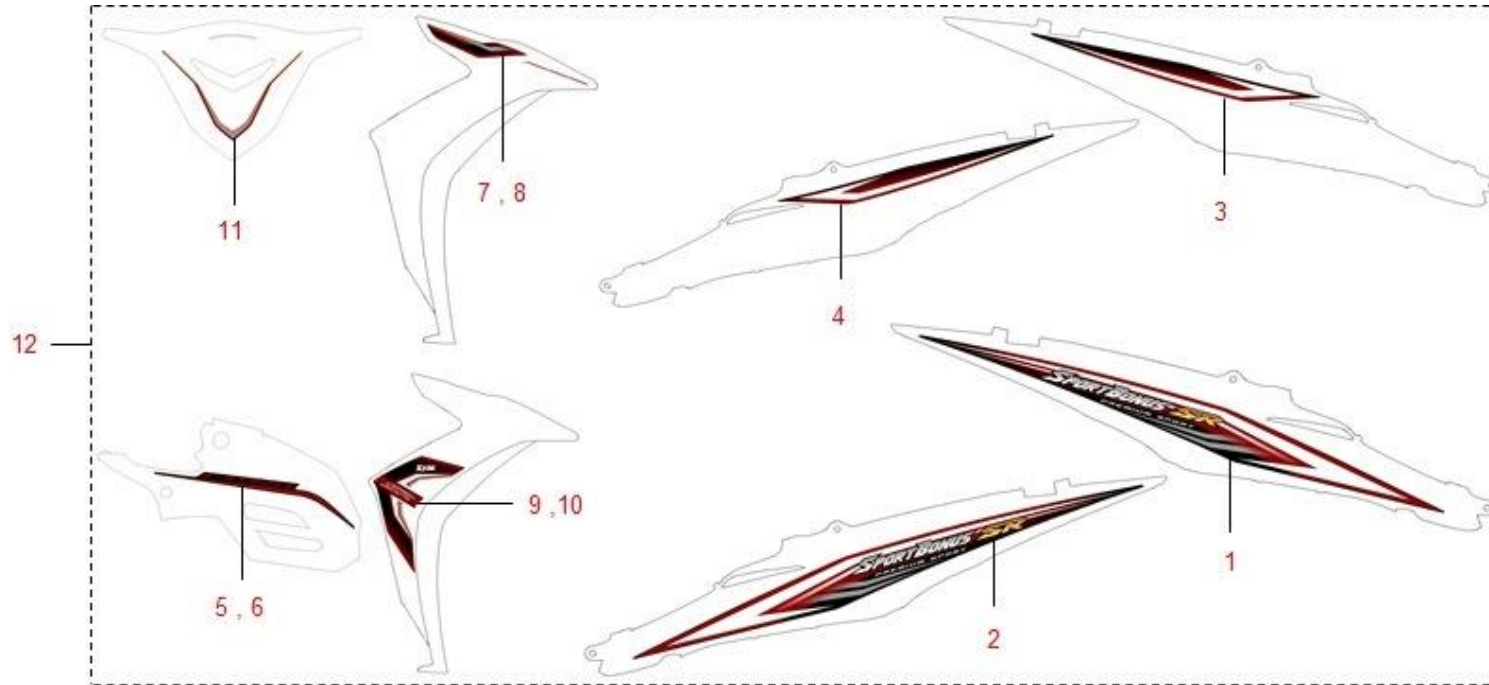
No.	Part No.	Description	Unit Price (RM/PCS)	Unit	Remark
1	87121-VBA-0000-T1	R. Body Cover Stripe A	7.70	1	T1-Red/Black
2	87122-VBA-0000-T1	L. Body Cover Stripe A	7.70	1	T1-Red/Black
3	87123-VBA-0000-T1	R. Body Cover Stripe B	2.40	1	T1-Red/Black
4	87124-VBA-0000-T1	L. Body Cover Stripe B	2.40	1	T1-Red/Black
5	87127-VBA-0000-T1	R. Main Pipe Cover B Stripe	1.50	1	T1-Red/Black
6	87128-VBA-0000-T1	L. Main Pipe Cover B Stripe	1.50	1	T1-Red/Black
7	87131-VBA-0000-T1	R. Front Cover Stripe A	1.90	1	T1-Red/Black
8	87132-VBA-0000-T1	L. Front Cover Stripe A	1.90	1	T1-Red/Black
9	87133-VBA-0000-T1	R. Front Cover Stripe B	8.00	1	T1-Red/Black
10	87134-VBA-0000-T1	L. Front Cover Stripe B	8.00	1	T1-Red/Black
11	87135-VBA-0000-T1	Fr. Top Cover Emblem Stripe	3.70	1	T1-Red/Black
12	87000-VBA-0000-T1	Stripe Ass'y	64.30	1	T1-Red/Black
	64000-VBA-0000-T1	Body Cover Set (Black/Red) - VBA	230.00	1	T1-Red/Black

## F24 STRIPE (VBA) -WHITE/BLACK



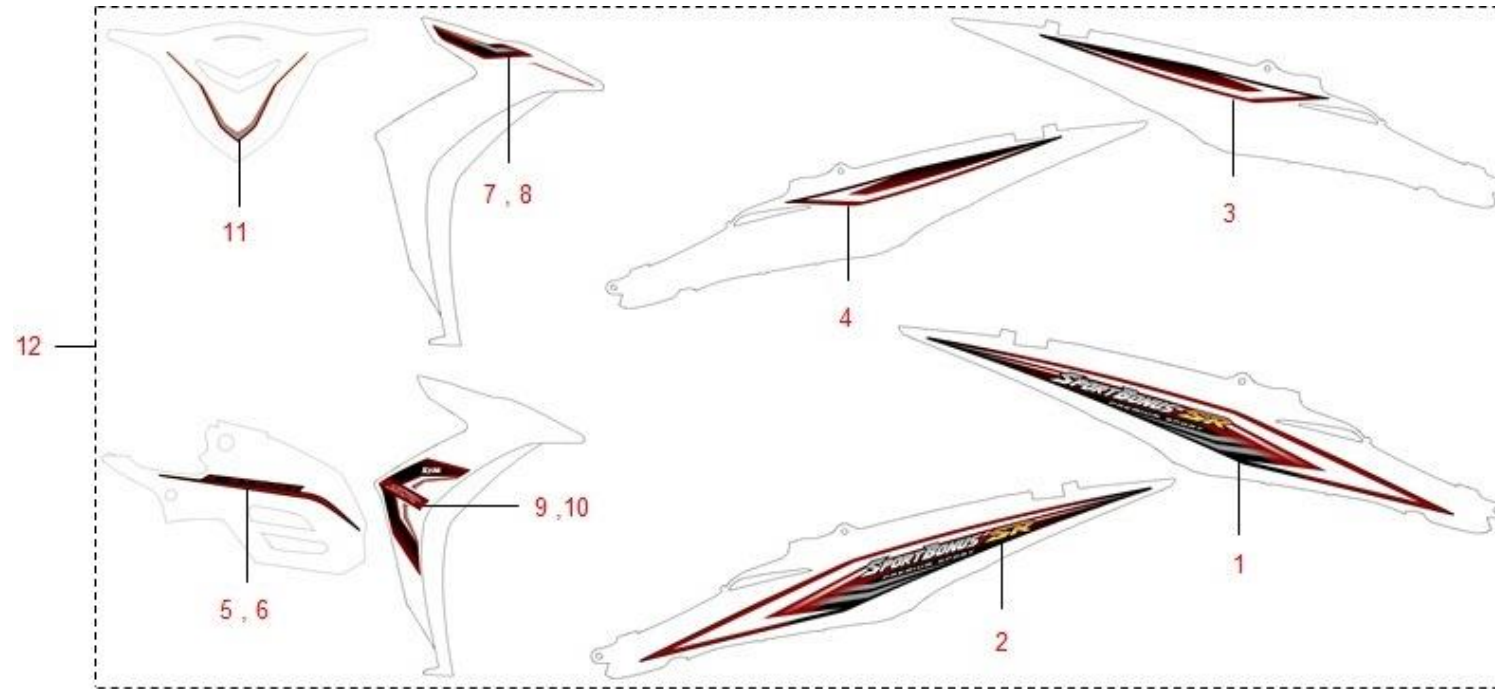
No.	Part No.	Description	Unit Price (RM/PCS)	Unit	Remark
1	87121-VBA-0000-T2	R. Body Cover Stripe A	7.70	1	T2-Black/White
2	87122-VBA-0000-T2	L. Body Cover Stripe A	7.70	1	T2-Black/White
3	87123-VBA-0000-T2	R. Body Cover Stripe B	2.40	1	T2-Black/White
4	87124-VBA-0000-T2	L. Body Cover Stripe B	2.40	1	T2-Black/White
5	87127-VBA-0000-T2	R. Main Pipe Cover B Stripe	1.50	1	T2-Black/White
6	87128-VBA-0000-T2	L. Main Pipe Cover B Stripe	1.50	1	T2-Black/White
7	87131-VBA-0000-T2	R. Front Cover Stripe A	1.90	1	T2-Black/White
8	87132-VBA-0000-T2	L. Front Cover Stripe A	1.90	1	T2-Black/White
9	87133-VBA-0000-T2	R. Front Cover Stripe B	8.00	1	T2-Black/White
10	87134-VBA-0000-T2	L. Front Cover Stripe B	8.00	1	T2-Black/White
11	87135-VBA-0000-T2	Fr. Top Cover Emblem Stripe	3.70	1	T2-Black/White
12	87000-VBA-0000-T2	Stripe Ass'y	64.30	1	T2-Black/White
	64000-VBA-0000-T2	Body Cover Set (White/Black) - VBA	230.00	1	T2-Black/White

## F25 STRIPE (VBA) - BLUE/WHITE



No.	Part No.	Description	Unit Price (RM/PCS)	Unit	Remark
1	87121-VBA-0000-T3	R. Body Cover Stripe A	7.70	1	T3-Blue/White
2	87122-VBA-0000-T3	L. Body Cover Stripe A	7.70	1	T3-Blue/White
3	87123-VBA-0000-T3	R. Body Cover Stripe B	2.40	1	T3-Blue/White
4	87124-VBA-0000-T3	L. Body Cover Stripe B	2.40	1	T3-Blue/White
5	87127-VBA-0000-T3	R. Main Pipe Cover B Stripe	1.50	1	T3-Blue/White
6	87128-VBA-0000-T3	L. Main Pipe Cover B Stripe	1.50	1	T3-Blue/White
7	87131-VBA-0000-T3	R. Front Cover Stripe A	1.90	1	T3-Blue/White
8	87132-VBA-0000-T3	L. Front Cover Stripe A	1.90	1	T3-Blue/White
9	87133-VBA-0000-T3	R. Front Cover Stripe B	8.00	1	T3-Blue/White
10	87134-VBA-0000-T3	L. Front Cover Stripe B	8.00	1	T3-Blue/White
11	87135-VBA-0000-T3	Fr. Top Cover Emblem Stripe	3.70	1	T3-Blue/White
12	87000-VBA-0000-T3	Stripe Ass'y	64.30	1	T3-Blue/White
	64000-VBA-0000-T3	Body Cover Set (Blue/White) - VBA	230.00	1	T3-Blue/White

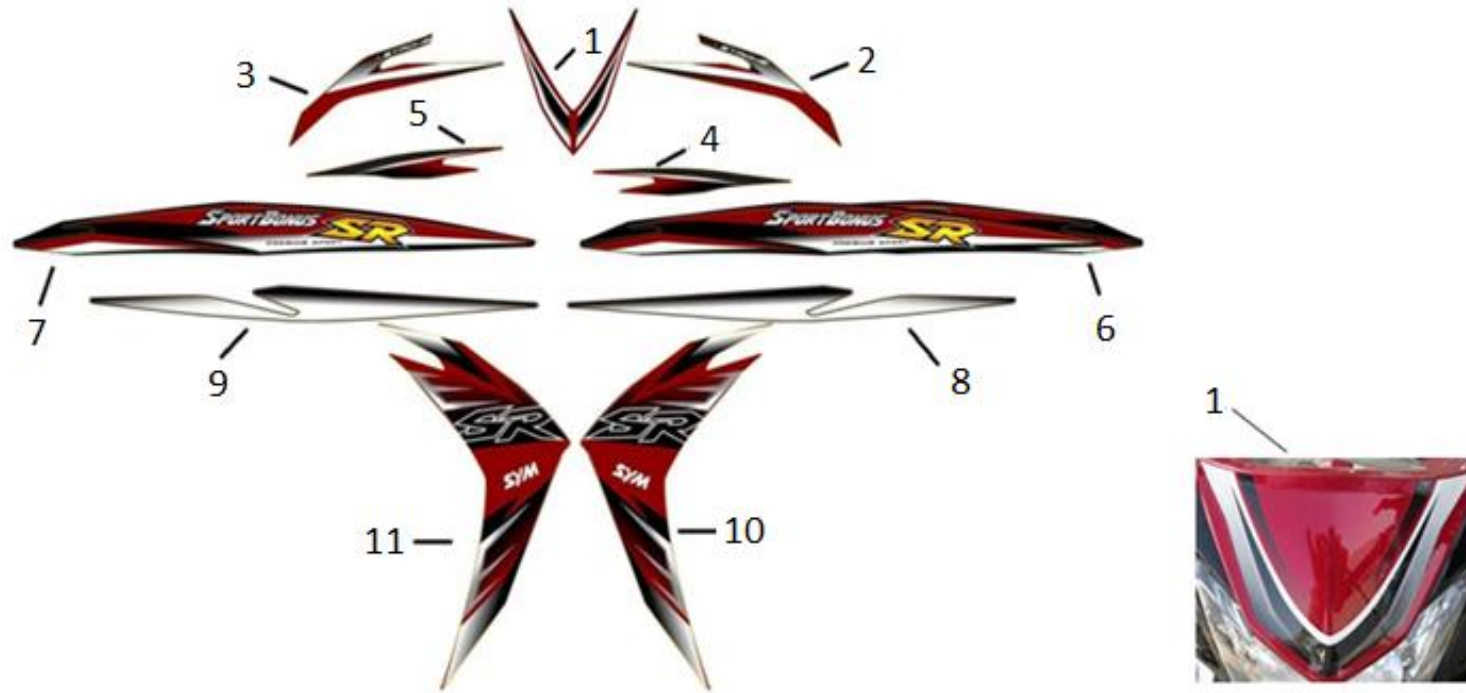
## F26 STRIPE (VBA) - RED/WHITE



No.	Part No.	Description	Unit Price (RM/PCS)	Unit	Remark
1	87121-VBA-0000-T4	R. Body Cover Stripe A	7.70	1	T4-Red/White
2	87122-VBA-0000-T4	L. Body Cover Stripe A	7.70	1	T4-Red/White
3	87123-VBA-0000-T4	R. Body Cover Stripe B	2.40	1	T4-Red/White
4	87124-VBA-0000-T4	L. Body Cover Stripe B	2.40	1	T4-Red/White
5	87127-VBA-0000-T4	R. Main Pipe Cover B Stripe	1.50	1	T4-Red/White
6	87128-VBA-0000-T4	L. Main Pipe Cover B Stripe	1.50	1	T4-Red/White
7	87131-VBA-0000-T4	R. Front Cover Stripe A	1.90	1	T4-Red/White
8	87132-VBA-0000-T4	L. Front Cover Stripe A	1.90	1	T4-Red/White
9	87133-VBA-0000-T4	R. Front Cover Stripe B	8.00	1	T4-Red/White
10	87134-VBA-0000-T4	L. Front Cover Stripe B	8.00	1	T4-Red/White
11	87135-VBA-0000-T4	Fr. Top Cover Emblem Stripe	3.70	1	T4-Red/White
12	87000-VBA-0000-T4	Stripe Ass'y	64.30	1	T4-Red/White
	64000-VBA-0000-T4	Body Cover Set (Red/White) - VBA	230.00	1	T4-Red/White

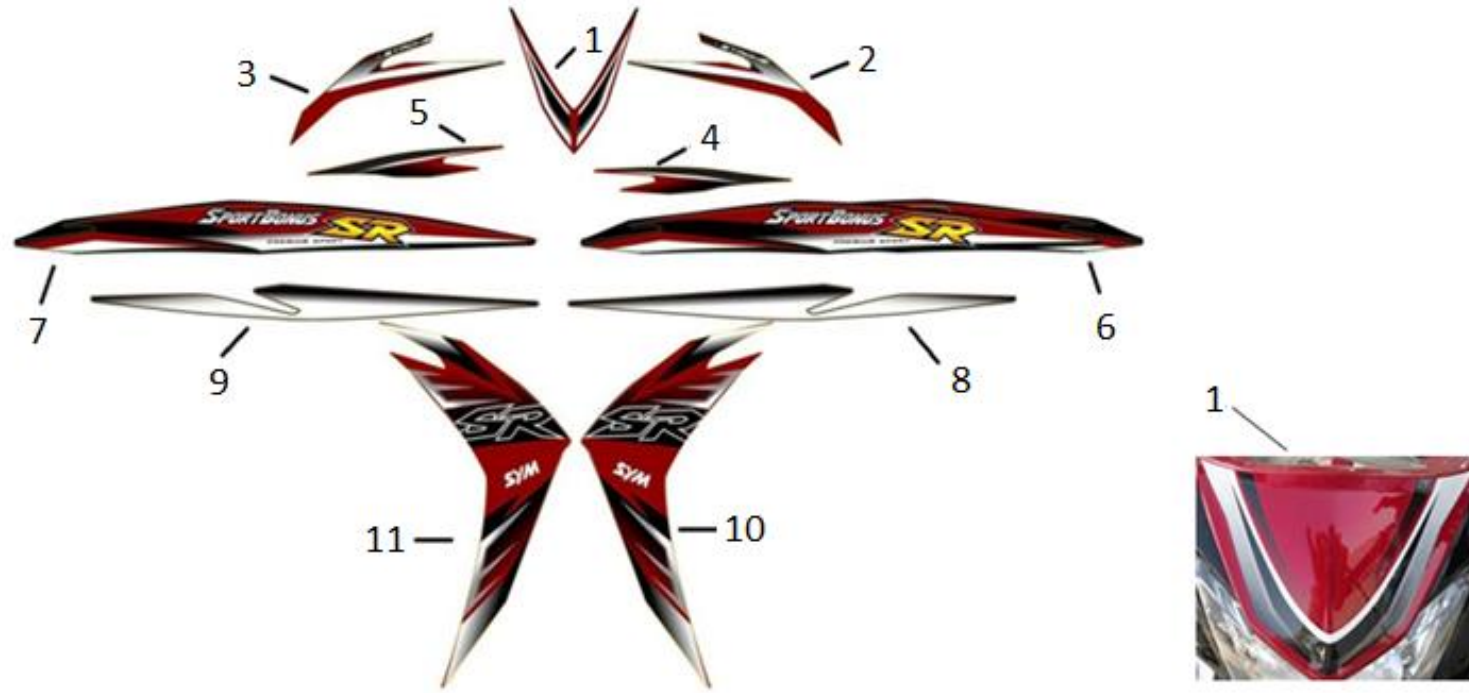


## F27 STRIPE (VBA MMC) - RED/BLACK/WHITE



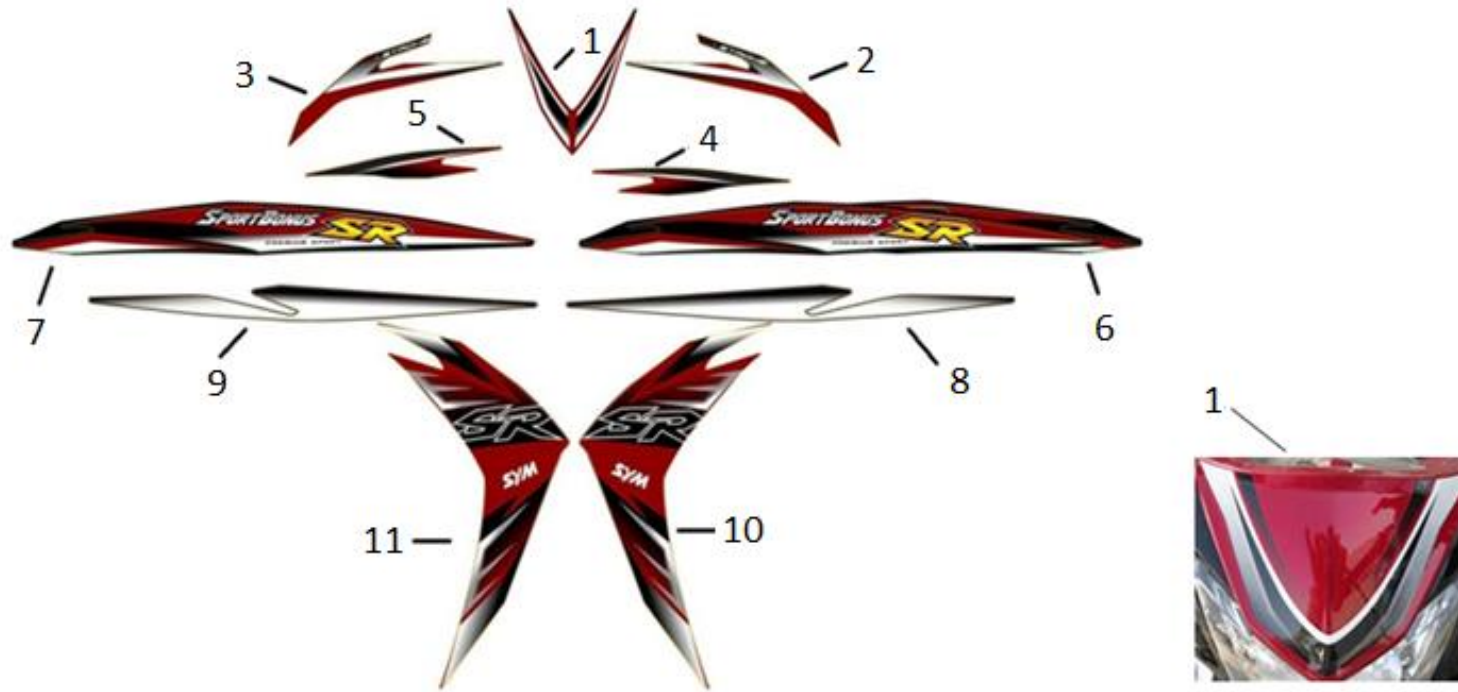
No.	Part No.	Description	Unit Price (RM/PCS)	Unit	Remark
1	87135-VBA-0002-T1	FR. TOP COVER EMBLEM STRIPE	4.30	1	T1-Red
2	87127-VBA-0002-T1	R. MAIN PIPE COVER B STRIPE	1.80	1	T1-Red
3	87128-VBA-0002-T1	L. MAIN PIPE COVER B STRIPE	1.80	1	T1-Red
4	87131-VBA-0002-T1	R. FRONT COVER STRIPE A	2.10	1	T1-Red
5	87132-VBA-0002-T1	L. FRONT COVER STRIPE A	2.10	1	T1-Red
6	87121-VBA-0003-T1	R. BODY COVER STRIPE A	8.60	1	T1-Red
7	87122-VBA-0003-T1	L. BODY COVER STRIPE A	8.60	1	T1-Red
8	87123-VBA-0002-T1	R. BODY COVER STRIPE B	3.00	1	T1-Red
9	87124-VBA-0002-T1	L. BODY COVER STRIPE B	3.00	1	T1-Red
10	87133-VBA-0002-T1	R. FRONT COVER STRIPE B	9.10	1	T1-Red
11	87134-VBA-0002-T1	L. FRONT COVER STRIPE B	9.10	1	T1-Red
12	87141-VBA-0000-T1	FR HANDLE COVER VISOR STRIPE	2.30	1	T1-Red
	87000-VBA-0002-T1	STICKER SET ( RED/BLACK/WHITE)	75.60	1	T1-Red
	64000-VBA-0000-RWY	BODY COVER SET (RED/BLACK/WHITE) - VBA MMC	230.00	1	RWY-Red

## F28 STRIPE (VBA MMC) - BLUE/BLACK/WHITE



No.	Part No.	Description	Unit Price (RM/PCS)	Unit	Remark
1	87135-VBA-0002-T2	FR. TOP COVER EMBLEM STRIPE	4.30	1	T2-Blue
2	87127-VBA-0002-T2	R. MAIN PIPE COVER B STRIPE	1.80	1	T2-Blue
3	87128-VBA-0002-T2	L. MAIN PIPE COVER B STRIPE	1.80	1	T2-Blue
4	87131-VBA-0002-T2	R. FRONT COVER STRIPE A	2.10	1	T2-Blue
5	87132-VBA-0002-T2	L. FRONT COVER STRIPE A	2.10	1	T2-Blue
6	87121-VBA-0003-T2	R. BODY COVER STRIPE A	8.60	1	T2-Blue
7	87122-VBA-0003-T2	L. BODY COVER STRIPE A	8.60	1	T2-Blue
8	87123-VBA-0002-T1	R. BODY COVER STRIPE B	3.00	1	
9	87124-VBA-0002-T1	L. BODY COVER STRIPE B	3.00	1	
10	87133-VBA-0002-T2	R. FRONT COVER STRIPE B	9.10	1	T2-Blue
11	87134-VBA-0002-T2	L. FRONT COVER STRIPE B	9.10	1	T2-Blue
12	87141-VBA-0000-T2	FR HANDLE COVER VISOR STRIPE	2.30	1	T2-Blue
	87000-VBA-0002-T2	STICKER SET (BLUE/BLACK/WHITE)	75.60	1	T2-Blue
	64000-VBA-0000-BWY	BODY COVER SET (BLUE/BLACK/WHITE) - VBA MMC	230.00	1	BWY-Blue

## F29 STRIPE (VBA MMC) - YELLOW/BLACK/WHITE



No.	Part No.	Description	Unit Price (RM/PCS)	Unit	Remark
1	87135-VBA-0002-T3	FR. TOP COVER EMBLEM STRIPE	4.30	1	T3-Yellow
2	87127-VBA-0002-T3	R. MAIN PIPE COVER B STRIPE	1.80	1	T3-Yellow
3	87128-VBA-0002-T3	L. MAIN PIPE COVER B STRIPE	1.80	1	T3-Yellow
4	87131-VBA-0002-T3	R. FRONT COVER STRIPE A	2.10	1	T3-Yellow
5	87132-VBA-0002-T3	L. FRONT COVER STRIPE A	2.10	1	T3-Yellow
6	87121-VBA-0003-T3	R. BODY COVER STRIPE A	8.60	1	T3-Yellow
7	87122-VBA-0003-T3	L. BODY COVER STRIPE A	8.60	1	T3-Yellow
8	87123-VBA-0002-T1	R. BODY COVER STRIPE B	3.00	1	
9	87124-VBA-0002-T1	L. BODY COVER STRIPE B	3.00	1	
10	87133-VBA-0002-T3	R. FRONT COVER STRIPE B	9.10	1	T3-Yellow
11	87134-VBA-0002-T3	L. FRONT COVER STRIPE B	9.10	1	T3-Yellow
12	87141-VBA-0000-T3	FR HANDLE COVER VISOR STRIPE	2.30	1	T3-Yellow
	87000-VBA-0002-T3	STICKER SET (YELLOW/BLACK/WHITE)	75.60	1	T3-Yellow
	64000-VBA-0000-KWY	BODY COVER SET (YELLOW/BLACK/WHITE) - VBA MMC	230.00	1	KWY-Yellow

**F30 VBA MMC PART**



No.	Part No.	Description	Unit Price (RM/PCS)	Unit	Remark
1	77200-VBC-0005	Double Seat Assy	168.30	1	
2	24700-VBA-0000	Gear Change Pedal Assy	-	x	Please Order 24701-VBA-0000 + 24781-N01-0000
2a	24701-VBA-0000	Gear Change Pedal	30.30	1	
2b	24781-N01-0000	Change Pedal Rubber	1.30	1	
3	46500-VBA-0000	Rr. Brake Pedal Comp	38.90	1	

**VBA & VBA MMC COVER SET**

No.	Part No.	Description	Unit	Remark
	<b>64000-VBA-0000-T2</b>	<b>WHITE-BLACK BODY COVER SET - VBA</b>		
	53203-VBA-0000-KB	METER GARNISH (BK-500C) - BLACK	1	
	53204-VBA-0000-KB	FR. HANDLE VISOR (BK-500C) - BLACK	1	
	53205-VBA-0001-WB	FR. HANDLE COVER (WH-058P) - WHITE	1	
	53206-VBA-0002-WB	RR. HANDLE COVER (WH-058P) - WHITE	1	
	61100-VBA-0000-WB	FR. FENDER (WH-058P) - WHITE	1	
	64101-VBA-0002-WB	INNER COVER (WH-058P) - WHITE	1	
	64301-VBA-0000-KB	R. FR COVER (BK-500C) - BLACK	1	
	64302-VBA-0000-KB	L. FRONT COVER (BK-500C) - BLACK	1	
	64310-VBA-0000-WB	FR. TOP COVER (WH-058P) - WHITE	1	
	64314-VBA-0000-WB	FR. TOP COVER EMBLEM (WH-058P) - WHITE	1	
	64323-VBA-0000-WB	R. MAIN PIPE COVER B(WH-058P) - WHITE	1	
	64324-VBA-0000-WB	L. MAIN PIPE COVER B (WH-058P) - WHITE	1	
	83500-VB4-0005-WB	R BODY COVER (WH-058P) - WHITE	1	
	83600-VB4-0005-WB	LH. BODY COVER (WH-058P) - WHITE	1	
	83750-VB4-9002-WB	RR. CENTER COVER (WH-058P) - WHITE	1	
	<b>64000-VBA-0000-T3</b>	<b>WHITE-BLUE BODY COVER SET - VBA</b>		
	53203-VBA-0000-WB	METER GARNISH (WH-058P) - WHITE	1	
	53204-VBA-0000-DJ	FR. HANDLE VISOR (BU-202S) - BLUE	1	
	53205-VBA-0001-WB	FR. HANDLE COVER (WH-058P) - WHITE	1	
	53206-VBA-0002-DJ	RR. HANDLE COVER (BU-202S) - BLUE	1	
	61100-VBA-0000-DJ	FR. FENDER (BU-202S) - BLUE	1	
	64101-VBA-0002-DJ	INNER COVER (BU-202S) - BLUE	1	
	64301-VBA-0000-WB	R. FR COVER (WH-058P) - WHITE	1	
	64302-VBA-0000-WB	L. FRONT COVER (WH-058P) - WHITE	1	
	64310-VBA-0000-DJ	FR. TOP COVER (BU-202S) - BLUE	1	
	64314-VBA-0000-WB	FR. TOP COVER EMBLEM (WH-058P) - WHITE	1	
	64323-VBA-0000-DJ	R. MAIN PIPE COVER B(BU-202S) - BLUE	1	
	64324-VBA-0000-DJ	L. MAIN PIPE COVER B(BU-202S) - BLUE	1	
	83500-VB4-0005-DJ	R BODY COVER (BU-202S) - BLUE	1	
	83600-VB4-0005-DJ	LH. BODY COVER (BU-202S) - BLUE	1	
	83750-VB4-9002-DJ	RR. CENTER COVER (BU-202S) - BLUE	1	

**VBA & VBA MMC COVER SET**

No.	Part No.	Description	Unit	Remark
	<b>64000-VBA-0000-T1</b>	<b>RED-BLACK BODY COVER SET - VBA</b>		
	53203-VBA-0000-RB	METER GARNISH (R-010CA) - RED	1	
	53204-VBA-0000-KB	FR. HANDLE VISOR (BK-500C) - BLACK	1	
	53205-VBA-0001-KB	FR. HANDLE COVER (BK-500C) - BLACK	1	
	53206-VBA-0002-KB	RR. HANDLE COVER (BK-500C) - BLACK	1	
	61100-VBA-0000-RB	FR. FENDER (R-010CA) - RED	1	
	64101-VBA-0002-KB	INNER COVER (BK-500C) - BLACK	1	
	64301-VBA-0000-RB	R. FR COVER (R-010CA) - RED	1	
	64302-VBA-0000-RB	L. FRONT COVER (R-010CA) - RED	1	
	64310-VBA-0000-KB	FR. TOP COVER (BK-500C) - BLACK	1	
	64314-VBA-9001-RB	FR. TOP COVER EMBLEM (R-010CA) - RED	1	
	64323-VBA-0000-KB	R. MAIN PIPE COVER B(BK-500C) - BLACK	1	
	64324-VBA-0000-KB	L. MAIN PIPE COVER B(BK-500C) - BLACK	1	
	83500-VB4-0005-KB	R BODY COVER (BK-500C) - BLACK	1	
	83600-VB4-0005-KB	LH. BODY COVER (BK-500C) - BLACK	1	
	83750-VB4-9002-KB	RR. CENTER COVER (BK-500C) - BLACK	1	
	<b>64000-VBA-0000-T4</b>	<b>WHITE-RED BODY COVER SET - VBA</b>		
	53203-VBA-0000-WB	METER GARNISH (WH-058P) - WHITE	1	
	53204-VBA-0000-RB	FR. HANDLE VISOR(R-010CA) - RED	1	
	53205-VBA-0001-WB	FR. HANDLE COVER (WH-058P) - WHITE	1	
	53206-VBA-0002-RB	RR. HANDLE COVER (R-010CA) - RED	1	
	61100-VBA-0000-RB	FR. FENDER (R-010CA) - RED	1	
	64101-VBA-0002-RB	INNER COVER (R-010CA) - RED	1	
	64301-VBA-0000-WB	R. FR COVER (WH-058P) - WHITE	1	
	64302-VBA-0000-WB	L. FRONT COVER (WH-058P) - WHITE	1	
	64310-VBA-0000-RB	FR. TOP COVER (R-010CA) - RED	1	
	64314-VBA-0000-WB	FR. TOP COVER EMBLEM (WH-058P) - WHITE	1	
	64323-VBA-0000-RB	R. MAIN PIPE COVER B(R-010CA) - RED	1	
	64324-VBA-0000-RB	L. MAIN PIPE COVER B(R-010CA) - RED	1	
	83500-VB4-0005-RB	R BODY COVER (R-010CA) - RED	1	
	83600-VB4-0005-RB	LH. BODY COVER (R-010CA) - RED	1	
	83750-VB4-9002-RB	RR. CENTER COVER (R-010CA) RED	1	

**VBA & VBA MMC COVER SET**

No.	Part No.	Description	Unit	Remark
	<b>64000-VBA-0000-RWY</b>	<b>BODY COVER SET (RED/BLACK/WHITE) - VBA MMC</b>		
1	53203-VBA-0000-RB	METER GARNISH (R-010CA) - RED	1	
2	53204-VBA-0000-RB	FR. HANDLE VISOR(R-010CA) - RED	1	
3	53205-VBA-0001-KB	FR. HANDLE COVER (BK-500C) - BLACK	1	
4	53206-VBA-0002-WB	RR. HANDLE COVER (WH-058P) - WHITE	1	
5	61100-VBA-0000-RB	FR. FENDER (R-010CA) - RED	1	
6	64101-VBA-0002-WB	INNER COVER (WH-058P) - WHITE	1	
7	64301-VBA-0000-RB	R. FR COVER (R-010CA) - RED	1	
8	64302-VBA-0000-RB	L. FRONT COVER (R-010CA) - RED	1	
9	64310-VBA-0000-WB	FR. TOP COVER (WH-058P) - WHITE	1	
10	64314-VBA-0000-KB	FR. TOP COVER EMBLEM ( BK-500C ) - BLACK	1	
11	64323-VBA-0000-KB	R. MAIN PIPE COVER B(BK-500C) - BLACK	1	
12	64324-VBA-0000-KB	L. MAIN PIPE COVER B(BK-500C) - BLACK	1	
13	83500-VB4-0005-KB	R BODY COVER (BK-500C) - BLACK	1	
14	83600-VB4-0005-KB	LH. BODY COVER (BK-500C) - BLACK	1	
15	83750-VB4-9002-KB	RR. CENTER COVER (BK-500C) - BLACK	1	
	<b>64000-VBA-0000-BWY</b>	<b>BODY COVER SET (BLUE/BLACK/WHITE) - VBA MMC</b>		
1	53203-VBA-0000-DU	METER GARNISH ( BU-203S ) - BLUE	1	
2	53204-VBA-0000-DU	FR. HANDLE VISOR ( BU-203S ) - BLUE	1	
3	53205-VBA-0001-KB	FR. HANDLE COVER (BK-500C) - BLACK	1	
4	53206-VBA-0002-WB	RR. HANDLE COVER (WH-058P) - WHITE	1	
5	61100-VBA-0000-DU	FR. FENDER ( BU-203S ) - BLUE	1	
6	64101-VBA-0002-WB	INNER COVER (WH-058P) - WHITE	1	
7	64301-VBA-0000-DU	R. FR COVER (BU-203S) - BLUE	1	
8	64302-VBA-0000-DU	L. FRONT COVER ( BU-203S ) - BLUE	1	
9	64310-VBA-0000-WB	FR. TOP COVER (WH-058P) - WHITE	1	
10	64314-VBA-0000-KB	FR. TOP COVER EMBLEM ( BK-500C ) - BLACK	1	
11	64323-VBA-0000-KB	R. MAIN PIPE COVER B(BK-500C) - BLACK	1	
12	64324-VBA-0000-KB	L. MAIN PIPE COVER B(BK-500C) - BLACK	1	
13	83500-VB4-0005-KB	R BODY COVER (BK-500C) - BLACK	1	
14	83600-VB4-0005-KB	LH. BODY COVER (BK-500C) - BLACK	1	
15	83750-VB4-9002-KB	RR. CENTER COVER (BK-500C) - BLACK	1	

**VBA & VBA MMC COVER SET**

No.	Part No.	Description	Unit	Remark
	<b>64000-VBA-0000-KWY</b>	<b>BODY COVER SET (YELLOW/BLACK/WHITE) - VBA MMC</b>		
1	53203-VBA-0000-YF	METER GARNISH (Y-985) YELLOW	1	
2	53204-VBA-0000-YF	FR. HANDLE VISOR ( Y-985 ) - YELLOW	1	
3	53205-VBA-0001-KB	FR. HANDLE COVER (BK-500C) - BLACK	1	
4	53206-VBA-0002-WB	RR. HANDLE COVER (WH-058P) - WHITE	1	
5	61100-VBA-0000-YF	FR. FENDER ( Y-985 ) - YELLOW	1	
6	64101-VBA-0002-WB	INNER COVER (WH-058P) - WHITE	1	
7	64301-VBA-0000-YF	R. FR COVER ( Y-985 ) - YELLOW	1	
8	64302-VBA-0000-YF	L. FRONT COVER ( Y-985 ) - YELLOW	1	
9	64310-VBA-0000-WB	FR. TOP COVER (WH-058P) - WHITE	1	
10	64314-VBA-0000-KB	FR. TOP COVER EMBLEM ( BK-500C ) - BLACK	1	
11	64323-VBA-0000-KB	R. MAIN PIPE COVER B(BK-500C) - BLACK	1	
12	64324-VBA-0000-KB	L. MAIN PIPE COVER B(BK-500C) - BLACK	1	
13	83500-VB4-0005-KB	R BODY COVER (BK-500C) - BLACK	1	
14	83600-VB4-0005-KB	LH. BODY COVER (BK-500C) - BLACK	1	
15	83750-VB4-9002-KB	RR. CENTER COVER (BK-500C) - BLACK	1	